

**NOTES:**

1. FOR CONCRETE GENERAL NOTES SEE 240K-C2-0000-15R-101
2. PRIOR TO POURING CONCRETE CONTRACTOR SHALL CHECK FOR ANY ELECTRICAL GROUNDING REQUIREMENTS. REFER TO GROUNDING DETAIL DRAWINGS FOR UNDERGROUND SERVICES.
3. COORDINATES ON THIS DWG ARE IN THE PLANT COORDINATE SYSTEM PER JOB BULLETIN JB-8-010.
4. FOR UNDERGROUND FIRE WATER LINE & HYDRANT LOCATIONS SEE DRAWING 240K-C2-5300-10L-001.
5. THE BALL MILL FEED SURGE BINS WAS DESIGNED AS A NON-BUILDING STRUCTURE, NOT SIMILAR TO BUILDINGS UTILIZING TABLE 15.4-2 OF ASCE 7-05, "ALL OTHER STEEL & REINFORCED CONCRETE DISTRIBUTED MASS CANTILEVER STRUCTURE NOT COVERED HEREIN INCLUDING STACKS, CHIMNEYS, SILOS AND SKIRT-SUPPORTED VERTICAL VESSELS THAT ARE NOT SIMILAR TO BUILDINGS". WERE SELECTED AS THE SEISMIC LOAD RESISTING SYSTEM FOR BOTH EAST-WEST AND NORTH-SOUTH DIRECTIONS. SEISMIC COEFFICIENTS ARE R=3, R<sub>x</sub>=2, C<sub>s</sub>=2.5, SDC=D.

**CONCRETE BILL OF MATERIAL**

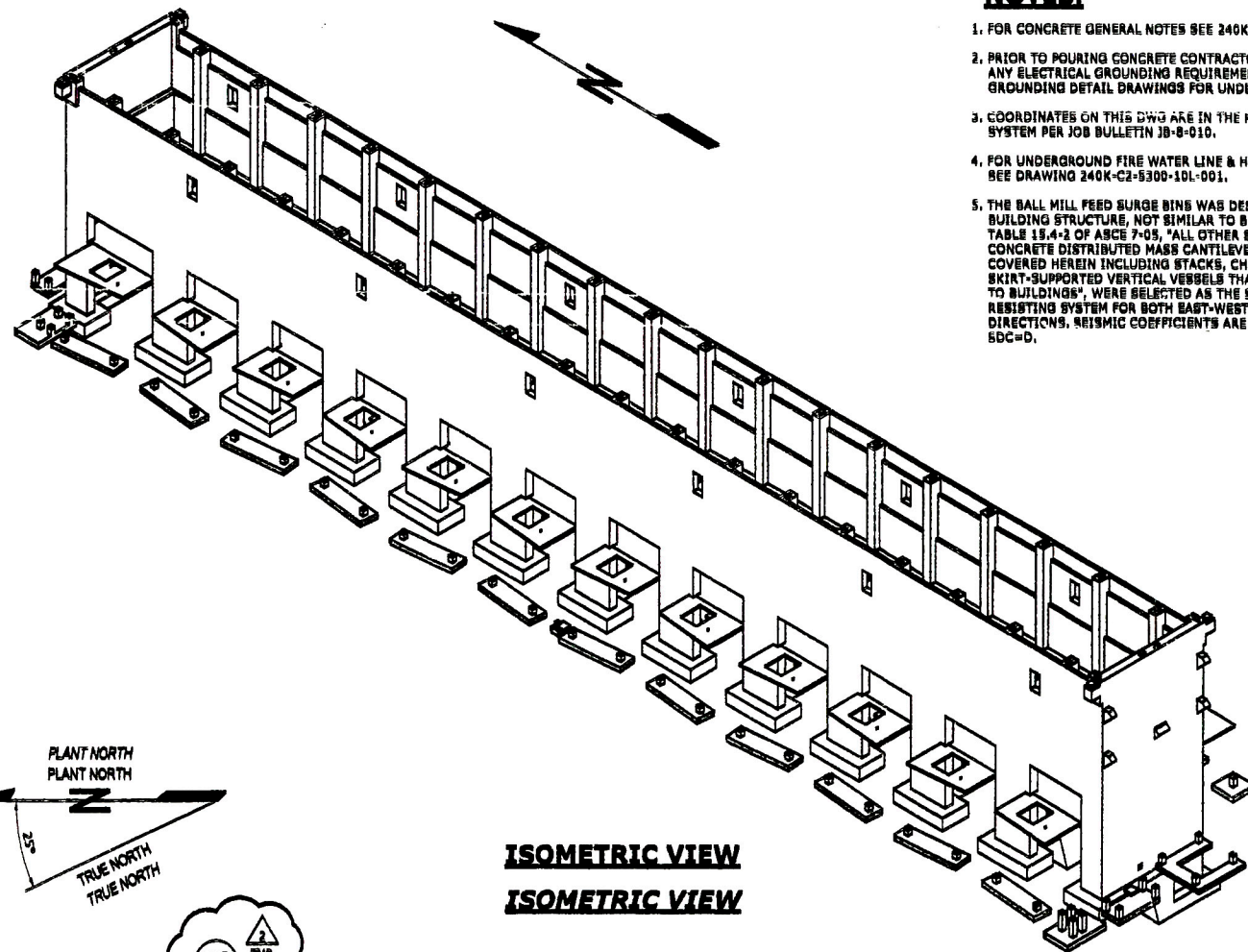
WBI: 331000AAB2	
CONC QTY (CU. M)	TYPE/TYPE
4990	02B
2960	13
12096	29B
WBI: 331060AAB2	
CONC QTY (CU. M)	TYPE/TYPE
433	03
0.12	26A
WBI: 331000AAB1	
CONC QTY (CU. M)	TYPE/TYPE
188	02A
50	1P
17	29A
WBI: 331000AAB4	
CONC QTY (CU. M)	TYPE/TYPE
907	02C
5	1B

**WBI DRAWING INDEX/WBI DRAWING INDEX**

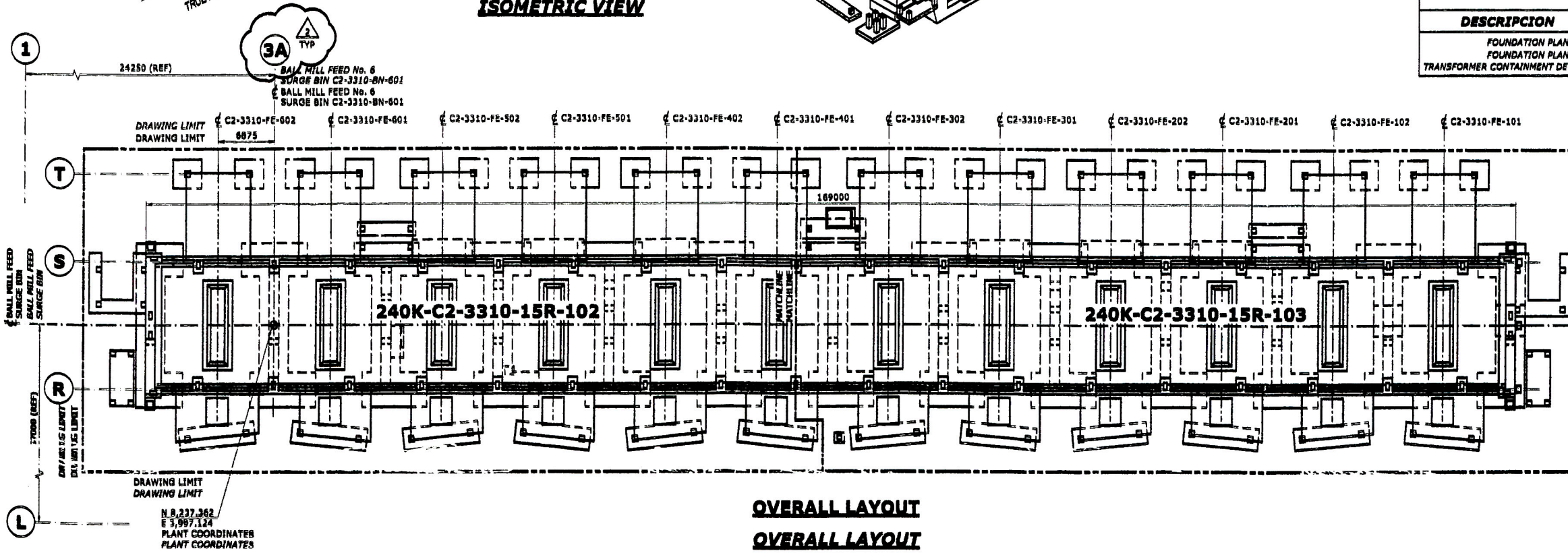
GRINDING BALL MILL FEED SURGE BIN		GRINDING BALL MILL FEED SURGE BIN	
WBI: 331000AAB2			
DESCRIPCION	PLANO No/DWG No	DESCRIPCION	
FOUNDATION PLAN SH 1	240K-C2-3310-15R-102	FOUNDATION PLAN SH 1	
FOUNDATION PLAN SH 2	240K-C2-3310-15R-103	FOUNDATION PLAN SH 2	
ELEC. ROOM/CONV. FLOOR EMBED PLAN	240K-C2-3310-15R-104	ELEC. ROOM/CONV. FLOOR EMBED PLAN	
FEEDER FLOOR EMBED PLAN	240K-C2-3310-15R-105	FEEDER FLOOR EMBED PLAN	
SURGE BIN FLOOR PLAN	240K-C2-3310-15R-106	SURGE BIN FLOOR PLAN	
TRIPPER FLOOR PLAN	240K-C2-3310-15R-107	TRIPPER FLOOR PLAN	
SECTIONS AND DETAILS SH 1	240K-C2-3310-15R-111	SECTIONS AND DETAILS SH 1	
SECTIONS AND DETAILS SH 2	240K-C2-3310-15R-112	SECTIONS AND DETAILS SH 2	
SECTIONS AND DETAILS SH 3	240K-C2-3310-15R-113	SECTIONS AND DETAILS SH 3	
SECTIONS AND DETAILS SH 4	240K-C2-3310-15R-114	SECTIONS AND DETAILS SH 4	
SECTIONS AND DETAILS SH 5	240K-C2-3310-15R-115	SECTIONS AND DETAILS SH 5	
SECTIONS AND DETAILS SH 6	240K-C2-3310-15R-116	SECTIONS AND DETAILS SH 6	
SECTIONS AND DETAILS SH 7	240K-C2-3310-15R-117	SECTIONS AND DETAILS SH 7	
SECTIONS AND DETAILS SH 8	240K-C2-3310-15R-118	SECTIONS AND DETAILS SH 8	
SECTIONS AND DETAILS SH 9	240K-C2-3310-15R-119	SECTIONS AND DETAILS SH 9	
SECTIONS AND DETAILS SH 10	240K-C2-3310-15R-120	SECTIONS AND DETAILS SH 10	
SECTIONS AND DETAILS SH 11	240K-C2-3310-15R-121	SECTIONS AND DETAILS SH 11	
SECTIONS AND DETAILS SH 12	240K-C2-3310-15R-122	SECTIONS AND DETAILS SH 12	
WBI: 331000AAB6			
DESCRIPCION	PLANO No/DWG No	DESCRIPCION	
SURGE BIN FLOOR PLAN	240K-C2-3310-15R-106	SURGE BIN FLOOR PLAN	
EMBEDMENT DETAILS SH 1	240K-C2-3310-15R-131	EMBEDMENT DETAILS SH 1	
EMBEDMENT DETAILS SH 2	240K-C2-3310-15R-132	EMBEDMENT DETAILS SH 2	
WBI: 331060AAB2			
DESCRIPCION	PLANO No/DWG No	DESCRIPCION	
FOUNDATION PLAN SH 1	240K-C2-3310-15R-102	FOUNDATION PLAN SH 1	
FOUNDATION PLAN SH 2	240K-C2-3310-15R-103	FOUNDATION PLAN SH 2	
SECTIONS AND DETAILS SH 1	240K-C2-3310-15R-141	SECTIONS AND DETAILS SH 1	
SECTIONS AND DETAILS SH 2	240K-C2-3310-15R-142	SECTIONS AND DETAILS SH 2	
SECTIONS AND DETAILS SH 3	240K-C2-3310-15R-143	SECTIONS AND DETAILS SH 3	
WBI: 331000AAB4			
DESCRIPCION	PLANO No/DWG No	DESCRIPCION	
ELEC. ROOM ELEVATED SLAB PLAN SH 1	240K-C2-3310-15R-171	ELEC. ROOM ELEVATED SLAB PLAN SH 1	
ELEC. ROOM ELEVATED SLAB PLAN SH 2	240K-C2-3310-15R-172	ELEC. ROOM ELEVATED SLAB PLAN SH 2	
FEEDER FLOOR ELEVATED SLAB PLAN	240K-C2-3310-15R-173	FEEDER FLOOR ELEVATED SLAB PLAN	
WBI: 331000AAB1			
DESCRIPCION	PLANO No/DWG No	DESCRIPCION	
FOUNDATION PLAN SH 1	240K-C2-3310-15R-102	FOUNDATION PLAN SH 1	
FOUNDATION PLAN SH 2	240K-C2-3310-15R-103	FOUNDATION PLAN SH 2	
TRANSFORMER CONTAINMENT DETAILS	240K-C2-3310-15R-135	TRANSFORMER CONTAINMENT DETAILS	

**NOTES:**

1. FOR CONCRETE GENERAL NOTES SEE 240K-C2-0000-15R-101
2. PRIOR TO POURING CONCRETE CONTRACTOR SHALL CHECK FOR ANY ELECTRICAL GROUNDING REQUIREMENTS. REFER TO GROUNDING DETAIL DRAWINGS FOR UNDERGROUND SERVICES.
3. COORDINATES ON THIS DWG ARE IN THE PLANT COORDINATE SYSTEM PER JOB BULLETIN JB-8-010.
4. FOR UNDERGROUND FIRE WATER LINE & HYDRANT LOCATIONS SEE DRAWING 240K-C2-5300-10L-001.
5. THE BALL MILL FEED SURGE BINS WAS DESIGNED AS A NON-BUILDING STRUCTURE, NOT SIMILAR TO BUILDINGS UTILIZING TABLE 15.4-2 OF ASCE 7-05, "ALL OTHER STEEL & REINFORCED CONCRETE DISTRIBUTED MASS CANTILEVER STRUCTURE NOT COVERED HEREIN INCLUDING STACKS, CHIMNEYS, SILOS AND SKIRT-SUPPORTED VERTICAL VESSELS THAT ARE NOT SIMILAR TO BUILDINGS". WERE SELECTED AS THE SEISMIC LOAD RESISTING SYSTEM FOR BOTH EAST-WEST AND NORTH-SOUTH DIRECTIONS. SEISMIC COEFFICIENTS ARE R=3, R<sub>x</sub>=2, C<sub>s</sub>=2.5, SDC=D.

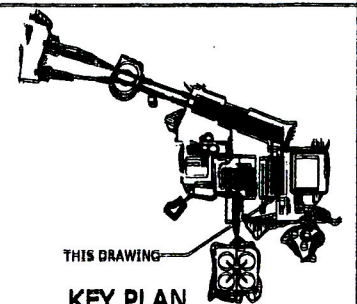


**ISOMETRIC VIEW**  
**ISOMETRIC VIEW**



**OVERALL LAYOUT**  
**OVERALL LAYOUT**

**WBI:** 331000AAB2, 331000AAB6, 331060AAB2, 331000AAB1, 331000AAB4



**KEY PLAN**  
**CLAVE**

REV.	DATE	REVISION DESCRIPTION	APP. BY	APPROVED	REV.	DATE	REVISION DESCRIPTION	APP. BY	APPROVED	REVISION DESCRIPTION	APP. BY	APPROVED
A	18JAN13	ISSUED FOR SQUAD CHECK (COMBINED REVIEW) ENTRADO PARA REVISION MULTIDISCIPLINARIA/ENAMEN COMBINADO.	CH	CH								
B		ISSUED FOR CLIENT REVIEW - NOT USED ENTRADO PARA LA REVISION DEL CLIENTE - NO UTILIZADO										
C		ISSUED FOR APPROVAL - NOT USED ENTRADO PARA APROBACION - NO UTILIZADO										
D	28MAR13	ISSUED FOR CONSTRUCTION ENTRADO PARA CONSTRUCCION	AM	PH								
1	18NOV13	IPC - REVISED AS NOTED ON DRAWING IPC - REVISED AS NOTED ON DRAWING	AM	PH								
2	03APR14	IPC - DAYLINE IDENTIFICATION ADDED IPC - DAYLINE IDENTIFICATION ADDED	AM	PH								

NOTICE: THIS DRAWING HAS NOT BEEN PUBLISHED AND IS THE SOLE PROPERTY OF FLUOR AND IS LOANED TO THE BORROWER FOR THEIR CONFIDENTIAL USE ONLY. AND IN CONSIDERATION OF THE LOAN OF THIS DRAWING, THE BORROWER PROMISES AND AGREES TO RETURN IT UPON REQUEST AND AGREES THAT IT WILL NOT BE REPRODUCED, COPIED, LOANED OR OTHERWISE DISPOSED OF DIRECTLY OR INDIRECTLY, NOR USED FOR ANY OTHER PURPOSE OTHER THAN WHICH IT IS FURNISHED.

**FLUOR**

DESIGNED BY	DRAWN BY	CHECKED BY	APPROVAL DATE	DESIGNED BY	DRAWN BY	CHECKED BY	APPROVAL DATE
R. MORTABAY	M. LOEVEN	W. TULL	28MAR13	R. THORPE	A. KING	N/A	N/A

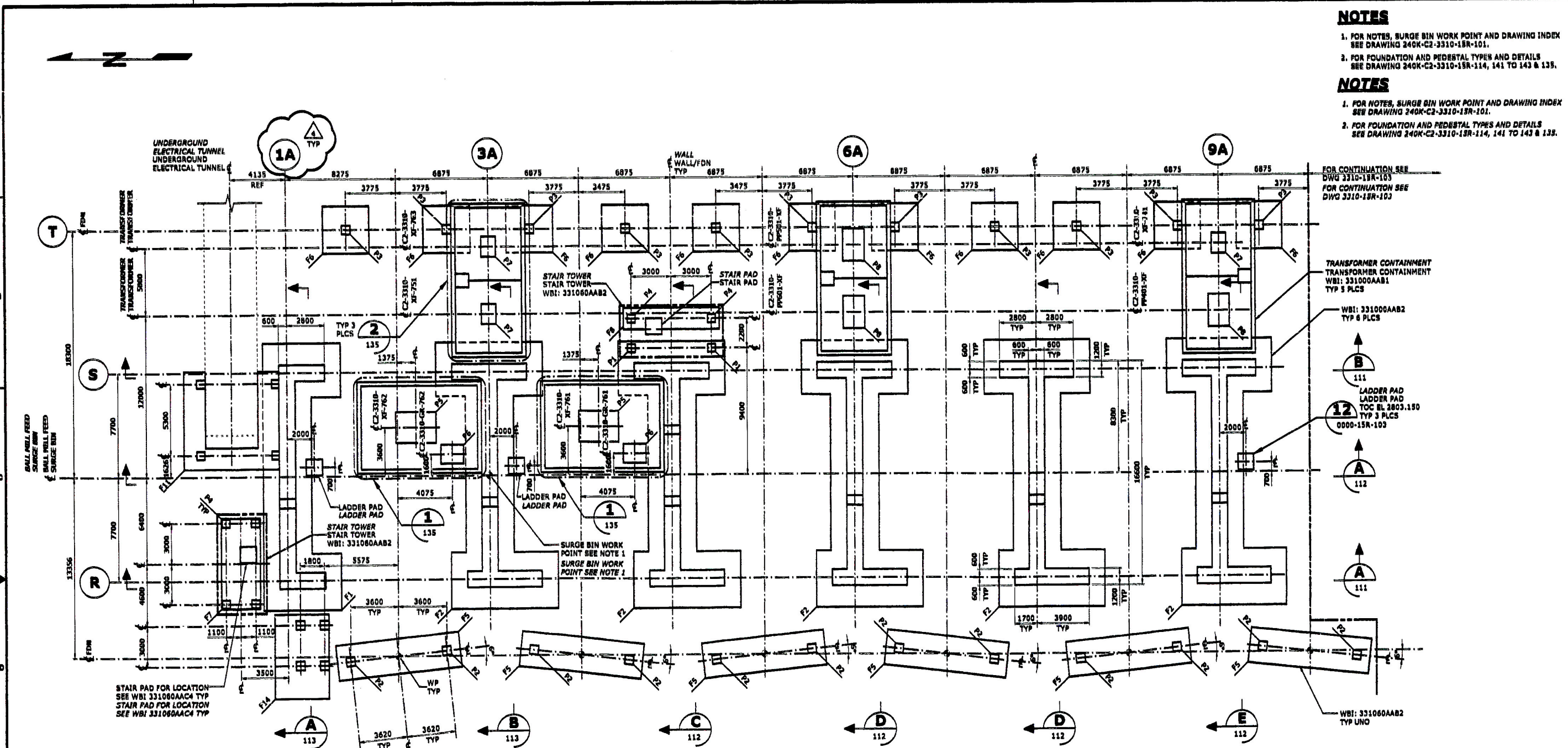
SCALE: NTS  
DRAWING NUMBER: 240K-C2-3310-15R-101  
REV: 2

**NOTES**

- FOR NOTES, SURGE BIN WORK POINT AND DRAWING INDEX SEE DRAWING 240K-C2-3310-15R-101.
- FOR FOUNDATION AND PEDESTAL TYPES AND DETAILS SEE DRAWING 240K-C2-3310-15R-114, 141 TO 143 & 135.

**NOTES**

- FOR NOTES, SURGE BIN WORK POINT AND DRAWING INDEX SEE DRAWING 240K-C2-3310-15R-101.
- FOR FOUNDATION AND PEDESTAL TYPES AND DETAILS SEE DRAWING 240K-C2-3310-15R-114, 141 TO 143 & 135.



**FOUNDATION PLAN**  
**FOUNDATION PLAN**

**WBI:** 331000AAB2, 331000AAB2, 331000AAB1

ENGLISH LANGUAGE SHALL GOVERN  
LA LENGUA INGLESA TENDRA PRECEDENCIA

NO.	DATE	REVISION DESCRIPTION	APP.	CHK.	DATE	REFERENCE DRAWING No.	REFERENCE DRAWINGS
A	14MAY13	ISSUED FOR COLLAP PERMIT EMITIDO PARA REVISION MULTIDISCIPLINARIA	RM	PH	13MAY13	IPC - REVISED AS NOTED IPC - REVISED AS NOTED	
B	03APR14	ISSUED FOR CLIENT REVIEW - NOT USED EMITIDO PARA LA REVISION DEL CLIENTE - NO UTILIZADO			03APR14	IPC - BAYLINE IDENTIFICATION ADDED IPC - BAYLINE IDENTIFICATION ADDED	
C		ISSUED FOR APPROVAL - NOT USED EMITIDO PARA APROBACION - NO UTILIZADO					
D	28MAR13	ISSUED FOR CONSTRUCTION EMITIDO PARA CONSTRUCCION	RM	PH			
1	07JUN13	IPC - TRANSFORMER CONTAINMENT ADDED IPC - TRANSFORMER CONTAINMENT ADDED	RM	PH			
2	18NOV13	IPC - MISC FOUNDATION ADDED IPC - MISC FOUNDATION ADDED	RM	PH			

**FLUOR**

PRODUCTION UNIT EXPANSION

DESIGNED BY E. SHARAFZADEH	DRAWN BY M. LOEWEN
CHECKED BY C. WONG	DATE 28MAR13
LEAD ENGINEER/SUPPLIER P. HAAGEN	APPROVAL DATE 28MAR13
APPROVED BY R. THORPE	DATE 28MAR13
ENGINEER/OWNER A. KING	APPROVAL DATE 28MAR13
CLIENT N/A	APPROVAL DATE N/A

SCALE: 1:150  
DRAWING NUMBER: 240K-C2-3310-15R-102  
REV: 4

NOTICE: THIS DRAWING HAS NOT BEEN PUBLISHED AND IS THE SOLE PROPERTY OF FLUOR AND IS LENT TO THE BORROWER FOR THEIR CONFIDENTIAL USE ONLY, AND IN CONSIDERATION OF THE LOAN OF THIS DRAWING, THE BORROWER PROMISES AND AGREES TO RETURN IT UPON REQUEST AND AGREES THAT IT WILL NOT BE REPRODUCED, COPIED, LENT OR OTHERWISE DISPOSED OF DIRECTLY OR INDIRECTLY, NOR USED FOR ANY OTHER PURPOSE OTHER THAN WHICH IT IS FURNISHED.

MAKING CHANGES MADE - YES  NO

NOTE: THIS DRAWING WAS GENERATED FROM SMARTPLAN 3D

ACCIDENTS HURT - SAFETY DOESNT.

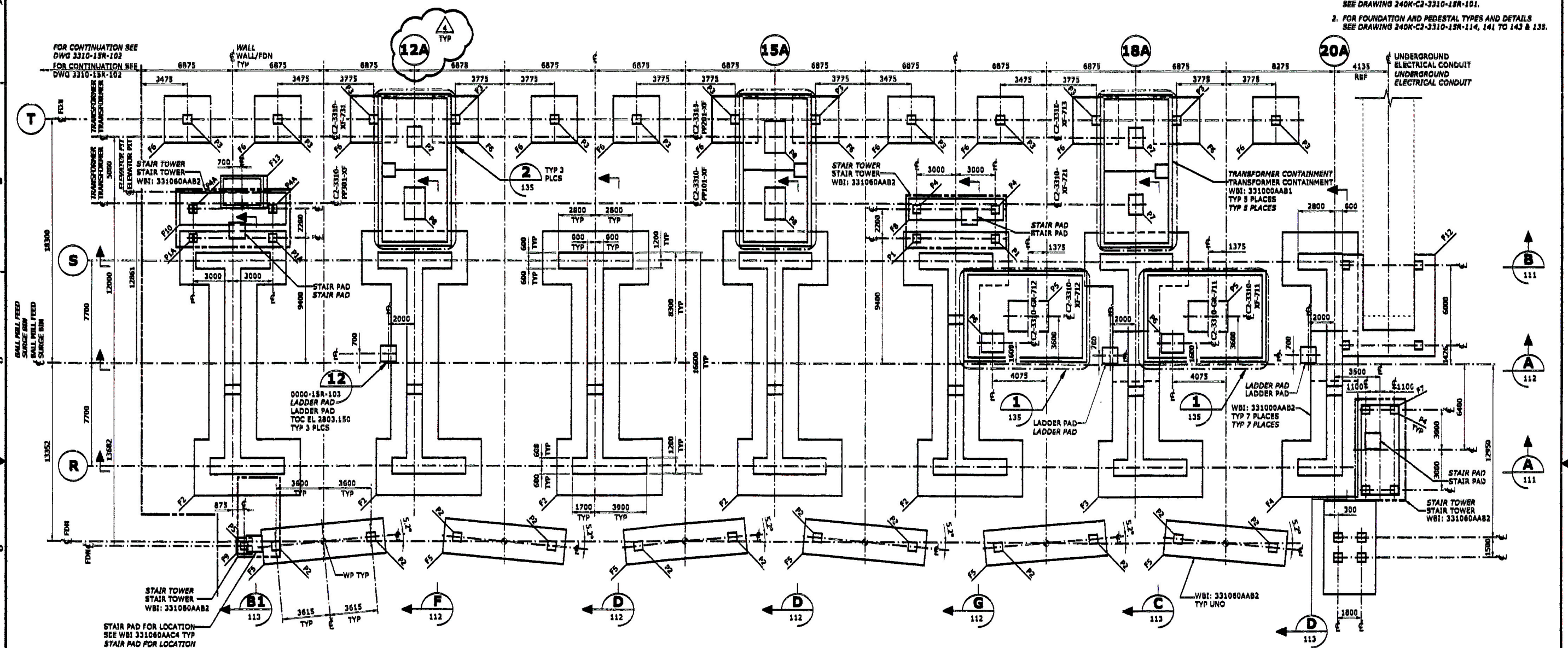
ACCIDENTES DUELEN, LA SEGURIDAD NO

**NOTES**

- FOR NOTES, SURGE BIN WORK POINT AND DRAWING INDEX SEE DRAWING 240K-C2-3310-15R-101.
- FOR FOUNDATION AND PEDESTAL TYPES AND DETAILS SEE DRAWING 240K-C2-3310-15R-114, 141 TO 143 & 135.

**NOTES**

- FOR NOTES, SURGE BIN WORK POINT AND DRAWING INDEX SEE DRAWING 240K-C2-3310-15R-101.
- FOR FOUNDATION AND PEDESTAL TYPES AND DETAILS SEE DRAWING 240K-C2-3310-15R-114, 141 TO 143 & 135.



**FOUNDATION PLAN  
FOUNDATION PLAN**

WBI: 331000AAB2, 331060AAB2, 331000AAB1

ENDUIN LANGUAGE SHALL GOVERN  
LA LENGUA INGLESA TENDRA PRECEDENCIA

REV	DATE	DESCRIPTION	APP'D	APPROVED	DATE	REVISION DESCRIPTION	APP'D	APPROVED	REFERENCE DRAWING No.	REFERENCE DRAWINGS
A	15JAN14	ISSUED FOR REVIEW - NOT USED EMITIDO PARA REVISIÓN MULTIDISCIPLINARIA	RM	PH	3	IPC - REVISED AS NOTED IPC - REVISADO AS NOTADO	RM	PH	N/A	
B	03APR14	ISSUED FOR CLIENT REVIEW - NOT USED EMITIDO PARA LA REVISIÓN DEL CLIENTE - NO UTILIZADO	RM	PH	4	IPC - BAYLINE IDENTIFICATION ADDED IPC - BAYLINE IDENTIFICACIÓN ADDED	RM	PH	N/A	
C	28MAR13	ISSUED FOR APPROVAL - NOT USED EMITIDO PARA APROBACIÓN - NO UTILIZADO	RM	PH			RM	PH		
D	28MAR13	ISSUED FOR CONSTRUCTION EMITIDO PARA CONSTRUCCIÓN	RM	PH			RM	PH		
E	07JUN13	IPC - TRANSFORMER CONTAINMENT ADDED IPC - TRANSFORMER CONTAINMENT ADDED	RM	PH			RM	PH		
F	16NOV13	IPC - MISC FOUNDATION ADDED IPC - MISC FOUNDATION ADDED	RM	PH			RM	PH		

NOTICE: THIS DRAWING HAS NOT BEEN PUBLISHED AND IS THE SOLE PROPERTY OF FLUOR AND IS LOANED TO THE BORROWER FOR THEIR CONFIDENTIAL USE ONLY. AND IN CONSIDERATION OF THE LOAN OF THIS DRAWING, THE BORROWER PROMISES AND AGREES TO RETURN IT UPON REQUEST AND AGREES THAT IT WILL NOT BE REPRODUCED, COPIED, LENT OR OTHERWISE DISPOSED OF DIRECTLY OR INDIRECTLY, NOR USED FOR ANY OTHER PURPOSE OTHER THAN WHICH IT IS FURNISHED.

**FLUOR**

DESIGNED BY: R. MORTAZAVI  
DRAWN BY: M. LUYVEN  
CHECKED BY: W. TAYLOR  
DATE: 28MAR13  
APPROVAL DATE: 28MAR13  
DESIGNED BY: P. HAAGEN  
DATE: 28MAR13  
APPROVAL DATE: 28MAR13  
DESIGNED BY: R. THORPE  
DATE: 28MAR13  
APPROVAL DATE: 28MAR13  
DESIGNED BY: A. KING  
DATE: 28MAR13  
APPROVAL DATE: 28MAR13

PROJECT	GRINDING BALL MILL FEED SURGE BIN
FOUNDATION PLAN SH 2	
SCALE	1:150
DWG NUMBER	240K-C2-3310-15R-103
REV	4

**3310 HOLD TABLE**  
**3310 HOLD TABLE**

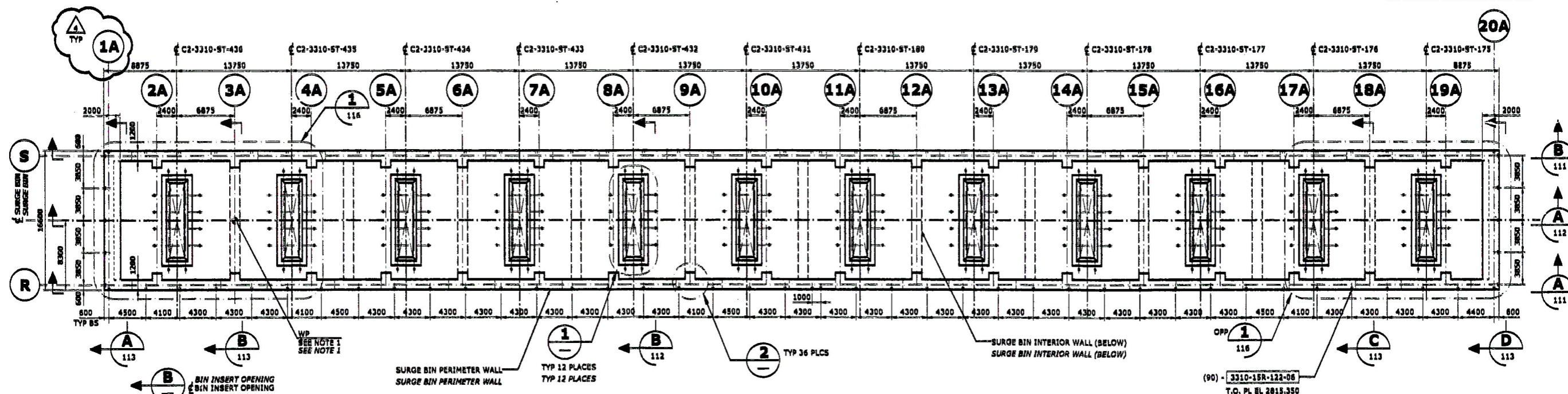
NO	DESCRIPTION	ISSUED	ACTION BY	RELEASED
4	REDESIGN OF CONCRETE TO COME	1H	STRUCT	2
	REDESIGN OF CONCRETE TO COME			

**NOTES**

1. FOR NOTES, SURGE BIN WORK POINT AND DRAWING INDEX SEE DRAWING 240K-C2-3310-15R-101.

**NOTES**

1. FOR NOTES, SURGE BIN WORK POINT AND DRAWING INDEX SEE DRAWING 240K-C2-3310-15R-101.

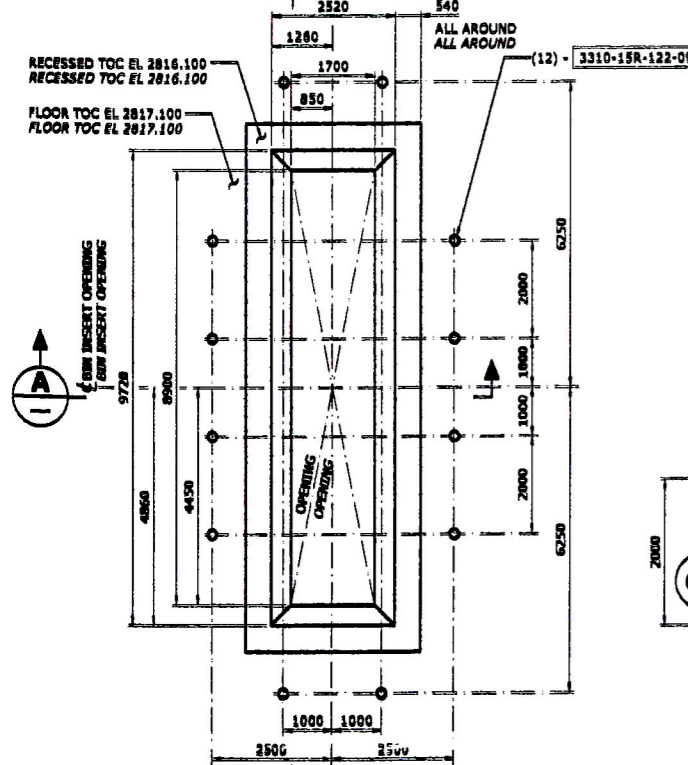


**SURGE BIN FLOOR PLAN**

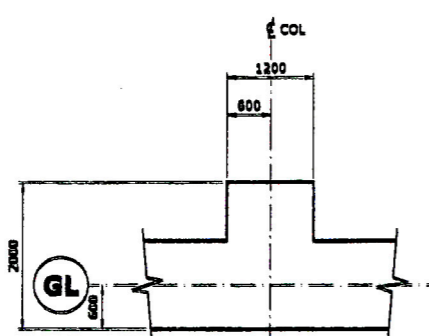
TOC EL 2817.100 UNO

**SURGE BIN FLOOR PLAN**

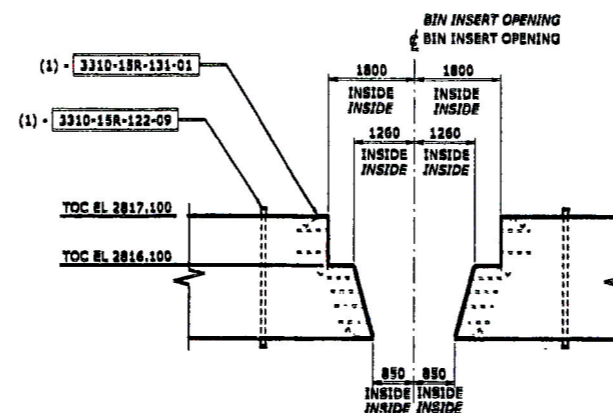
TOC EL 2817.100 UNO



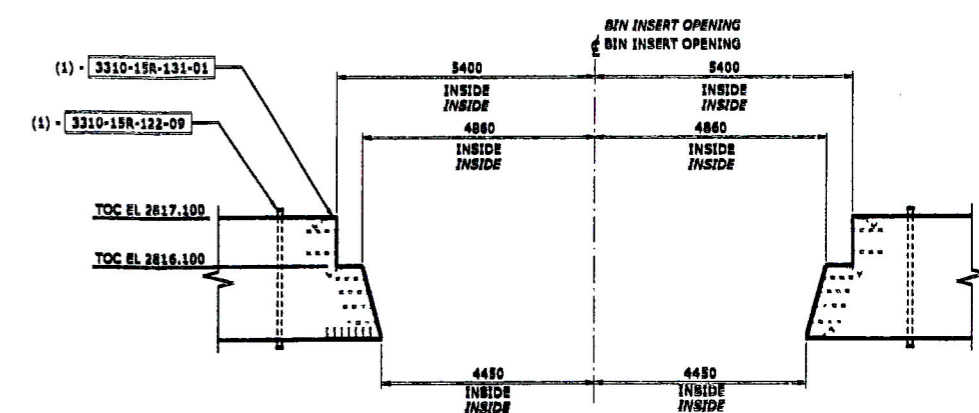
**DETAIL**  
SCALE = 1:75  
**DETAIL**  
SCALE = 1:75



**DETAIL**  
SCALE = 1:50  
**DETAIL**  
SCALE = 1:50



**SECTION**  
SCALE = 1:75  
**SECTION**  
SCALE = 1:75



**SECTION**  
SCALE = 1:75  
**SECTION**  
SCALE = 1:75

WBI: 331000AAB2, 331000AAB6

ENGLISH LANGUAGE SHALL GOVERN  
LA LENGUA INGLESA TENDRA PRECEDENCIA

REV	DATE	REVISION DESCRIPTION	DESIGN	APPROVED	REV	DATE	REVISION DESCRIPTION	DESIGN	APPROVED	REFERENCE DRAWING NO.	REFERENCE DRAWING
A	02/04/13	ISSUED FOR BIDDING - C.C.O.P. EMITIDO PARA REVISION DEL PROYECTO	PH	PH	3	24/NOV/12	IPC - EMBED PLATE BRACING REVISED IPC - EMBED PLATE BRACING REVISED	PH	PH		
B	03/07/13	ISSUED FOR CLIENT REVIEW - NOT USED EMITIDO PARA LA REVISION DEL CLIENTE - NO UTILIZADO	PH	PH	4	03/APR/14	IPC - BAYLINE IDENTIFICATION ADDED IPC - BAYLINE IDENTIFICATION ADDED	PH	PH		
C	03/07/13	ISSUED FOR APPROVAL - NOT USED EMITIDO PARA APROBACION - NO UTILIZADO	PH	PH							
D	03/07/13	ISSUED FOR CONSTRUCTION EMITIDO PARA CONSTRUCCION	PH	PH							
1H	03/07/13	IPC - OPENINGS REVISED / HOLD ADDED IPC - OPENINGS REVISED / HOLD ADDED	PH	PH							
2	11/07/13	IPC - HOLD REMOVED/COL LOCATIONS REVISED IPC - HOLD REMOVED/COL LOCATIONS REVISED	PH	PH							

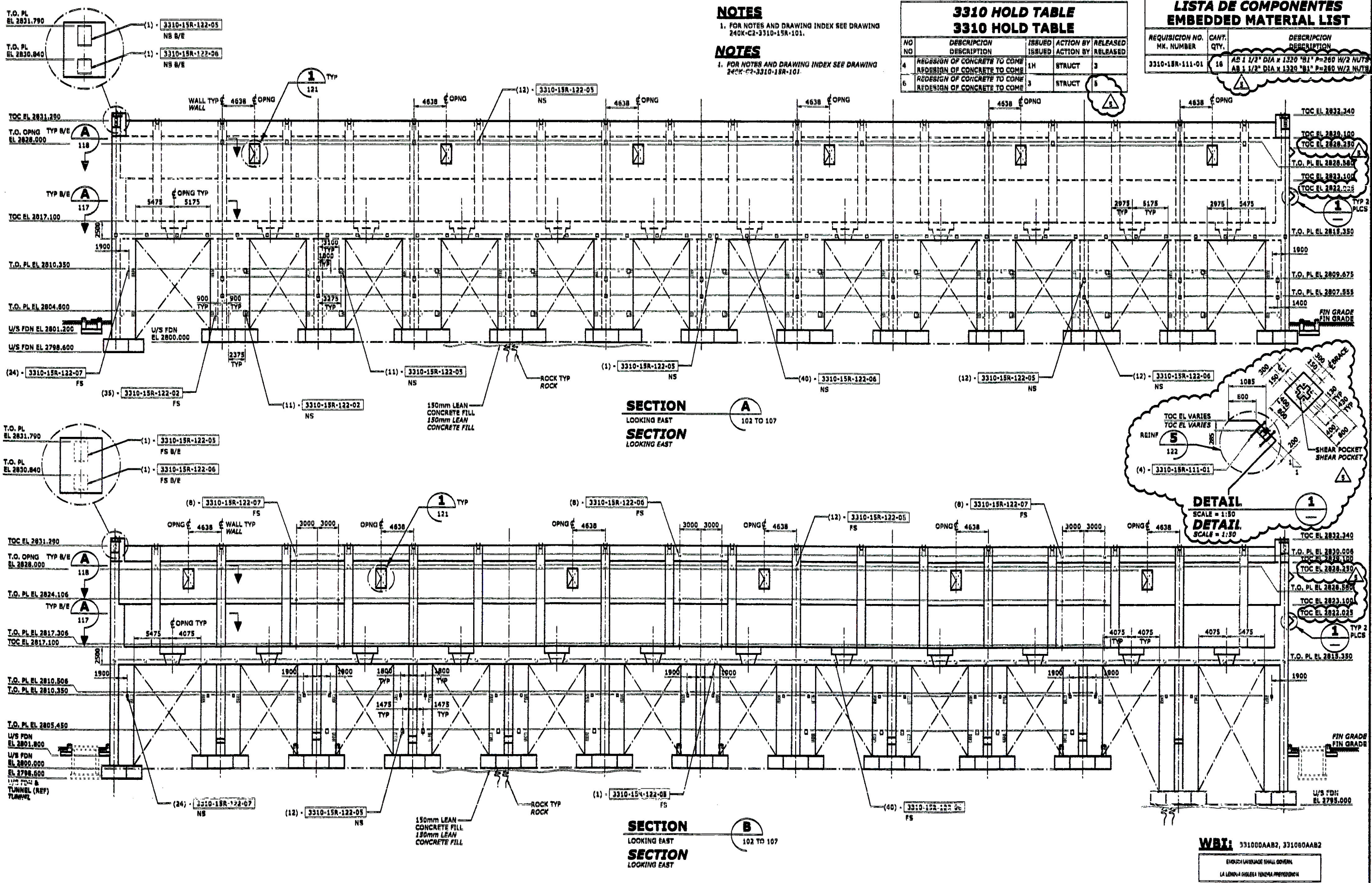
SOCIEDAD ANONIMA  
GRUPO VERRA S.A.S.

GRUPO VERRA PRODUCTION UNIT EXPANSION

NOTICE: THIS DRAWING HAS NOT BEEN PUBLISHED AND IS THE SOLE PROPERTY OF FLUOR AND IS LENT TO THE BORROWER FOR THEIR CONFIDENTIAL USE ONLY. AND IN CONSIDERATION OF THE LOAN OF THIS DRAWING, THE BORROWER PROMISES AND AGREES TO RETURN IT UPON REQUEST AND AGREES THAT IT WILL NOT BE REPRODUCED, COPIED, LENT OR OTHERWISE DISPOSED OF DIRECTLY OR INDIRECTLY, NOR USED FOR ANY OTHER PURPOSE OTHER THAN WHICH IT IS FURNISHED.

**FLUOR**

DESIGNED BY	DRAWN BY	SCALE	DRAWING NUMBER	REV.
R. MORTAZAVI	M. LOEWEN	1:250	240K-C2-3310-15R-106	4
CHECKED BY	APPROVED BY			
G. WONG	W. TUNG			
LEADER/DESIGNER/PROJECT	APPROVAL DATE			
P. HAAGEN	28/MAR/13			
REVISIONER	APPROVAL DATE			
R. THORPE	28/MAR/13			
ENGINEERING MANAGER	APPROVAL DATE			
A. KING	28/MAR/13			
CHECK	APPROVAL DATE			
N/A	N/A			



**NOTES**  
1. FOR NOTES AND DRAWING INDEX SEE DRAWING 240K-C2-3310-15R-101.

**NOTES**  
1. FOR NOTES AND DRAWING INDEX SEE DRAWING 240K-C2-3310-15R-101.

**3310 HOLD TABLE**

NO	DESCRIPTION	ISSUED	ACTION BY	RELEASED
4	REDESIGN OF CONCRETE TO COME	1H	STRUCT	3
5	REDESIGN OF CONCRETE TO COME	1H	STRUCT	3
6	REDESIGN OF CONCRETE TO COME	3	STRUCT	5

**LISTA DE COMPONENTES EMBEDDED MATERIAL LIST**

REQUISICION NO. MK. NUMBER	CANT. QTY.	DESCRIPCION DESCRIPTION
3310-15R-111-01	18	AS 1 1/2" DIA X 1320 "B1" P=260 W/2 NUTS AS 1 1/2" DIA X 1320 "B1" P=260 W/2 NUTS

REV.	DATE	REVISION DESCRIPTION	DESIGNED	CHECKED	APPROVED	DATE	REVISION DESCRIPTION	DESIGNED	CHECKED	APPROVED	DATE	REFERENCE DRAWING NO.	REFERENCE DRAWINGS
A	18JAN15	ISSUED FOR CLIENT CHECK EMITIDO PARA REVISIÓN DEL CLIENTE/REVISIÓN	RM	PH	RM	18JAN15	IPC - HOLD RELEASED/NOTA: ADDED IPC - HOLD RELEASED/NOTA: ADDED	RM	PH	RM	18JAN15		
B	28NOV13	ISSUED FOR CLIENT REVIEW - NOT USED EMITIDO PARA LA REVISIÓN DEL CLIENTE - NO UTILIZADO	RM	PH	RM	28NOV13	IPC - EMBED PLATE QTY'S REVISED IPC - EMBED PLATE QTY'S REVISED	RM	PH	RM	28NOV13		
C	04FEB14	ISSUED FOR APPROVAL - NOT USED EMITIDO PARA APROBACIÓN - NO UTILIZADO	RM	PH	RM	04FEB14	IPC - HOLD RELEASED IPC - HOLD RELEASED	RM	PH	RM	04FEB14		
D	28MAR13	ISSUED FOR CONSTRUCTION EMITIDO PARA CONSTRUCCIÓN	RM	PH	RM	28MAR13		RM	PH	RM	28MAR13		
1H	03SEP13	IPC - HOLD ADDED	RM	PH	RM	03SEP13		RM	PH	RM	03SEP13		
2H	13SEP13	IPC - EMBED PLATE MARKS REVISED IPC - EMBED PLATE MARKS REVISED	RM	PH	RM	13SEP13		RM	PH	RM	13SEP13		

**GRINDING BALL MILL FEED SURGE BIN SECTIONS AND DETAILS SH 1**

**GRINDING BALL MILL FEED SURGE BIN SECTIONS AND DETAILS SH 2**

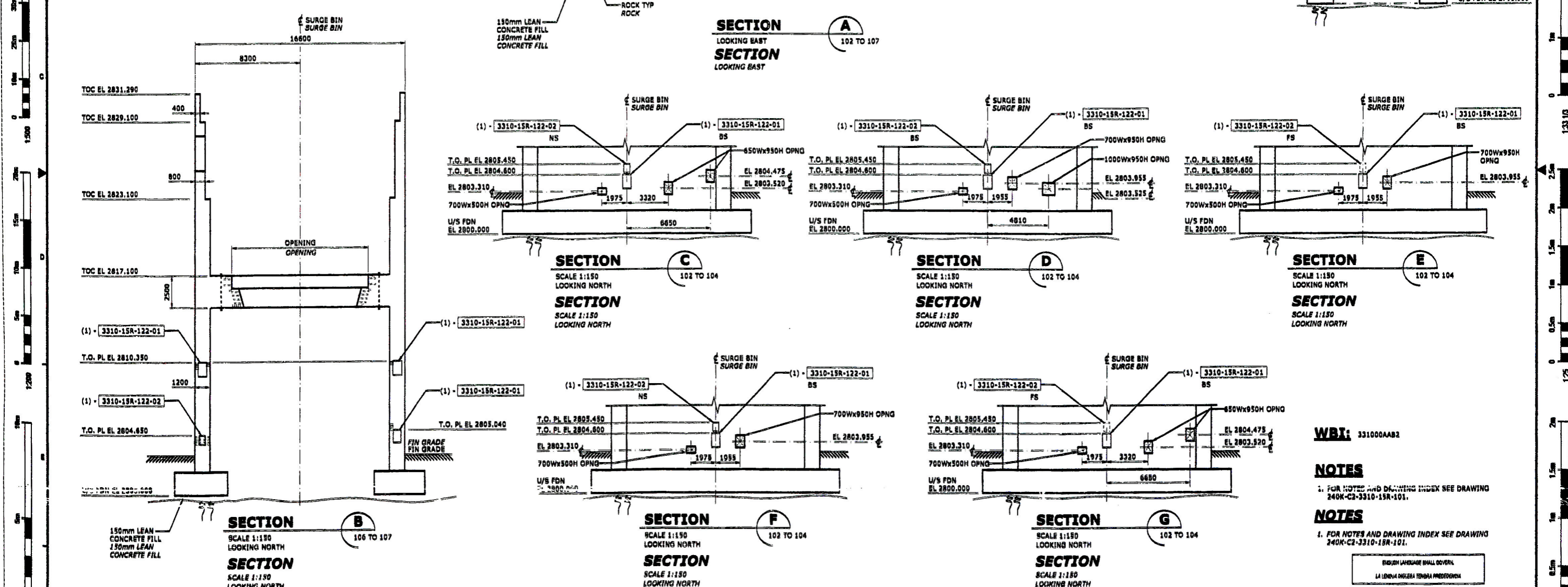
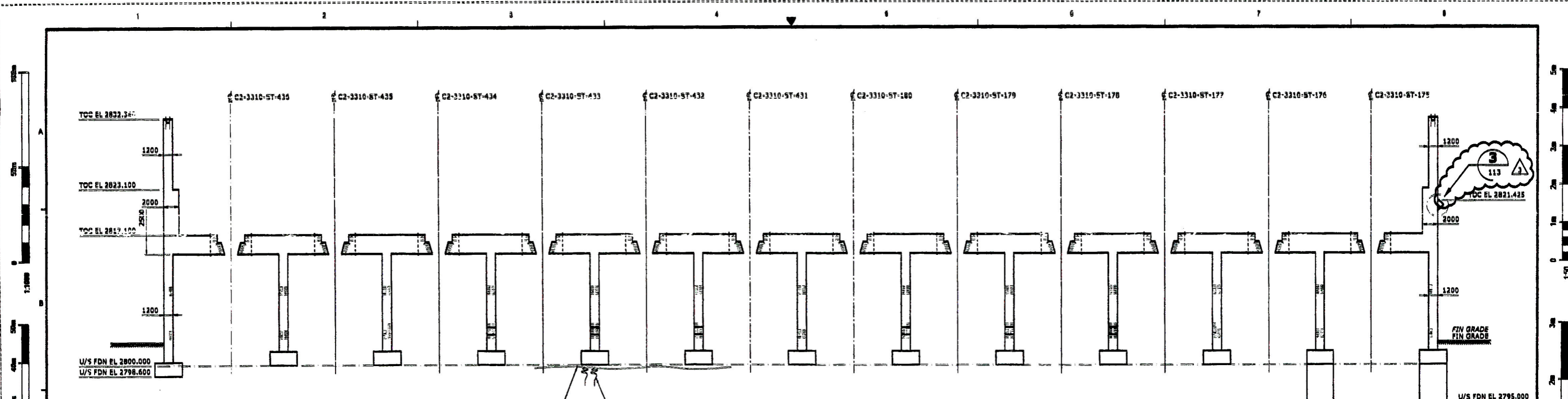
NOTICE: THIS DRAWING HAS NOT BEEN PUBLISHED AND IS THE SOLE PROPERTY OF FLUOR AND IS LOANED TO THE BORROWER FOR THEIR CONFIDENTIAL USE ONLY AND IN CONSIDERATION OF THE LOAN OF THIS DRAWING, THE BORROWER PROMISES AND AGREES TO RETURN IT UPON REQUEST AND AGREES THAT IT WILL NOT BE REPRODUCED, COPIED, LENT OR OTHERWISE DISPOSED OF DIRECTLY OR INDIRECTLY, NOR USED FOR ANY OTHER PURPOSE OTHER THAN WHICH IT IS FURNISHED.

**FLUOR**

DESIGNED BY R. HORTAZAVI	DRAWN BY H. LEWEN	DATE 28MAR13	SCALE 1:250
CHECKED BY P. HAAGEN	APPROVED BY R. THORPE	DATE 28MAR13	DRAWING NUMBER 240K-C2-3310-15R-111
DESIGNED BY A. KING	APPROVED BY A. KING	DATE 28MAR13	REVISION 5

MANUAL CHANGES MADE: YES  NO

NOTE: THIS DRAWING WAS GENERATED FROM SMARTPLANT 3D



**WBI:** 331000A82

**NOTES**

1. FOR NOTES AND DRAWING INDEX SEE DRAWING 240K-C2-3310-15R-101.

**NOTES**

1. FOR NOTES AND DRAWING INDEX SEE DRAWING 240K-C2-3310-15R-101.

ENGLISH LANGUAGE SHALL PREVAIL  
LA LENGUA INGLESA TENDRÁ PRECEDENCIA

REV.	DATE	REVISION DESCRIPTION	DESIGN	APPROVED	REV.	DATE	REVISION DESCRIPTION	DESIGN	APPROVED	REFERENCE DRAWING NO.	REFERENCE DRAWINGS
A	14JAN13	ISSUED FOR SQUAD CHECK ENTREGADO PARA REVISIÓN DEL CLIENTE - NO UTILIZADO	BM	PH	1	04FEB14	IPC - SECTION CALL OUT REVISED IPC - SECTION CALL OUT REVISED	BM	PH		
B		ISSUED FOR CLIENT REVIEW - NOT USED ENTREGADO PARA REVISIÓN DEL CLIENTE - NO UTILIZADO									
C		ISSUED FOR APPROVAL - NOT USED ENTREGADO PARA APROBACIÓN - NO UTILIZADO									
D	28MAR13	ISSUED FOR CONSTRUCTION ENTREGADO PARA CONSTRUCCIÓN	BM	PH	BT						
1	13SEP17	IPC - EMBED PLATE MARKS REVISED IPC - EMBED PLATE MARKS REVISED	BM	PH							
2	18NOV17	IPC - TOC ELEVATION REVISED IPC - TOC ELEVATION REVISED	BM	PH							

PROYECTO DE EXPANSIÓN DE LA UNIDAD DE PRODUCCIÓN DE PÓLVO

NOTICE: THIS DRAWING HAS NOT BEEN PUBLISHED AND IS THE SOLE PROPERTY OF FLUOR AND IS LOANED TO THE BORROWER FOR THEIR CONFIDENTIAL USE ONLY, AND IN CONSIDERATION OF THE LOAN OF THIS DRAWING, THE BORROWER PROMISES AND AGREES TO RETURN IT UPON REQUEST AND AGREES THAT IT WILL NOT BE REPRODUCED, COPIED, LENT OR OTHERWISE DISPOSED OF DIRECTLY OR INDIRECTLY, NOR USED FOR ANY OTHER PURPOSE OTHER THAN WHICH IT IS FURNISHED.

**FLUOR**

DESIGNED BY R. MORALES	DRAWN BY M. LOEVEN
CHECKED BY E. WONG	OVERSEEN BY M. TRINIC
LEAD ENGINEER(SUPPLIER) R. HAAGEN	APPROVAL DATE 28MAR13
DESIGNER R. THORPE	APPROVAL DATE 28MAR13
ENGINEERING MANAGER A. KING	APPROVAL DATE 28MAR13

SCALE: 1:250

DRAWING NUMBER: 240K-C2-3310-15R-112

REV: 3

MANUAL CHANGES MADE: YES  NO

NOTE: THIS DRAWING WAS GENERATED FROM SMARTPLANT 3D

**NOTES**

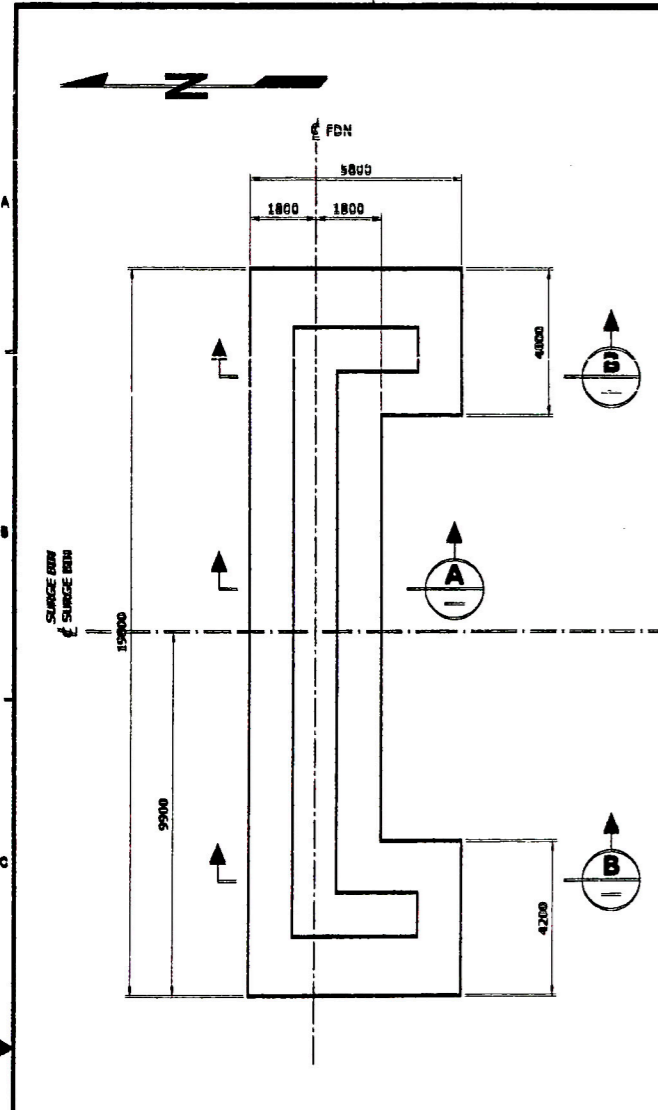
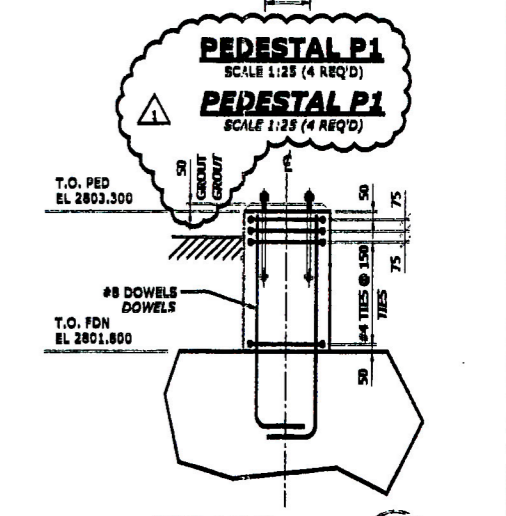
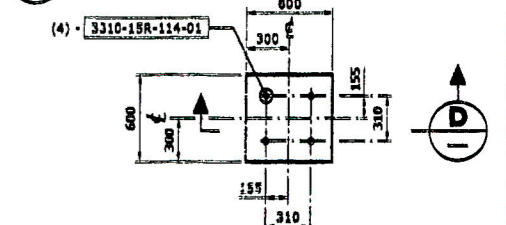
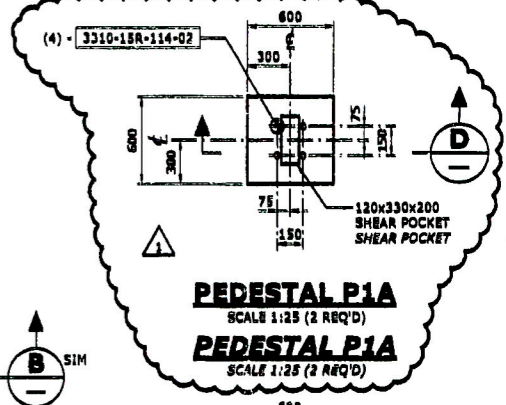
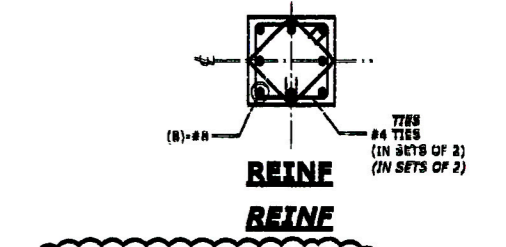
1. FOR NOTES AND DRAWING INDEX SEE DRAWING 240K-C2-3310-15R-101.

**NOTES**

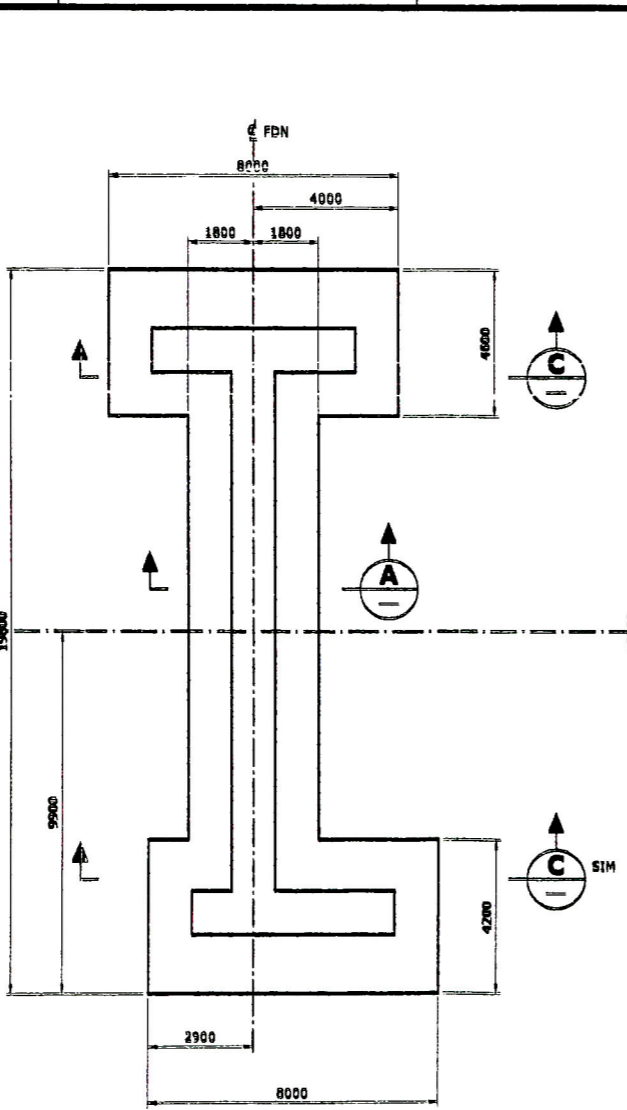
1. FOR NOTES AND DRAWING INDEX SEE DRAWING 240K-C2-3310-15R-101.

**LISTA DE COMPONENTES  
EMBEDDED MATERIAL LIST**

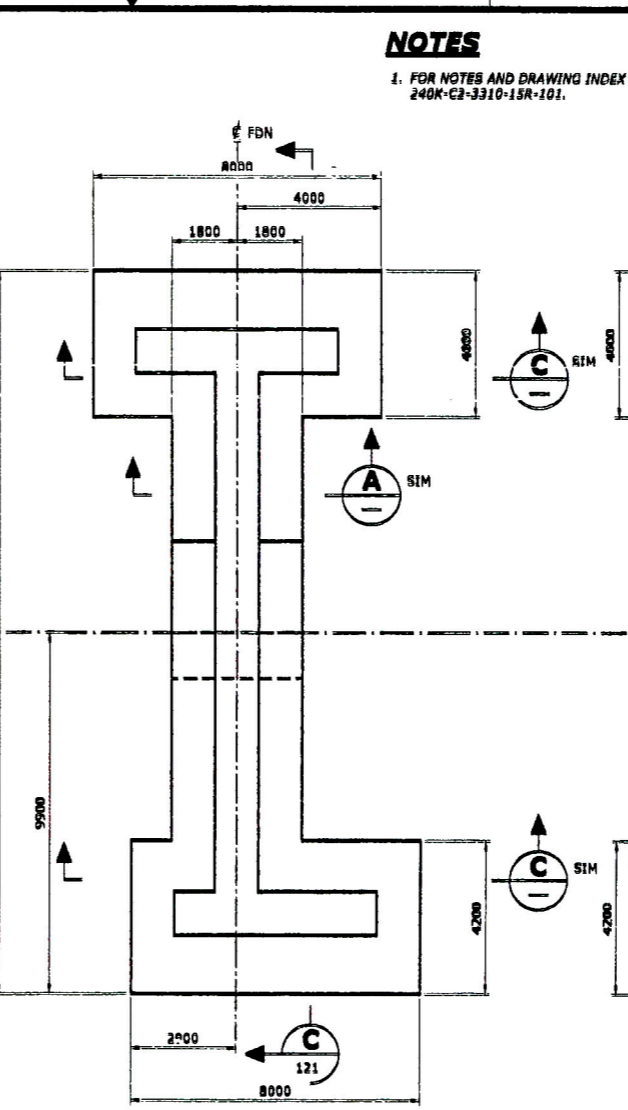
REQUISICION NO. MK. NUMBER	CANT. QTY.	DESCRIPTION
3310-15R-114-01	16	AR 1" DIA X 710 "B1" P=168 W/ 3 NUTS
3310-15R-114-02	8	AR 1" DIA X 710 "B1" P=168 W/ 3 NUTS
3310-15R-114-03	8	AR 1 3/4" DIA X 950 "B1" P=180 W/ 3 NUTS



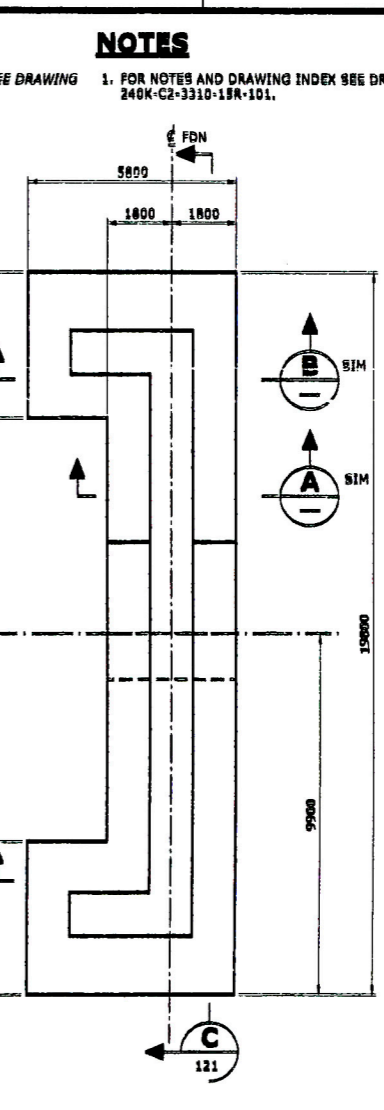
**FOUNDATION F1**  
**FOUNDATION F1**



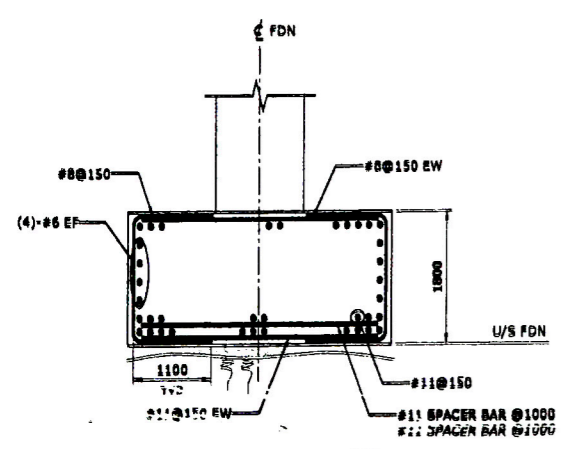
**FOUNDATION F2**  
(10 REQ'D)  
**FOUNDATION F2**  
(10 REQ'D)



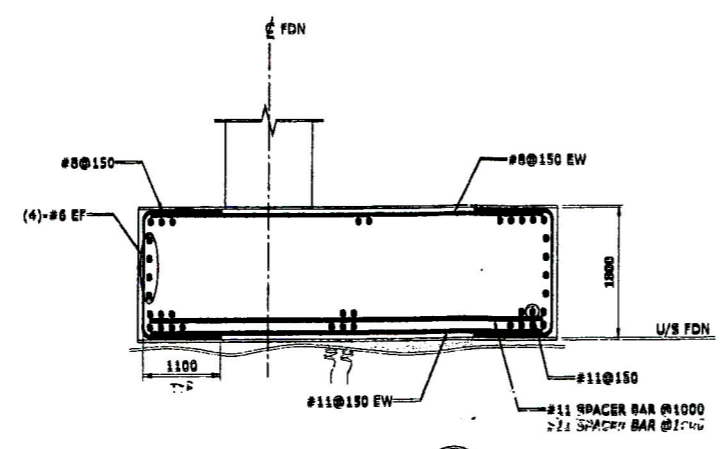
**FOUNDATION F3**  
**FOUNDATION F3**



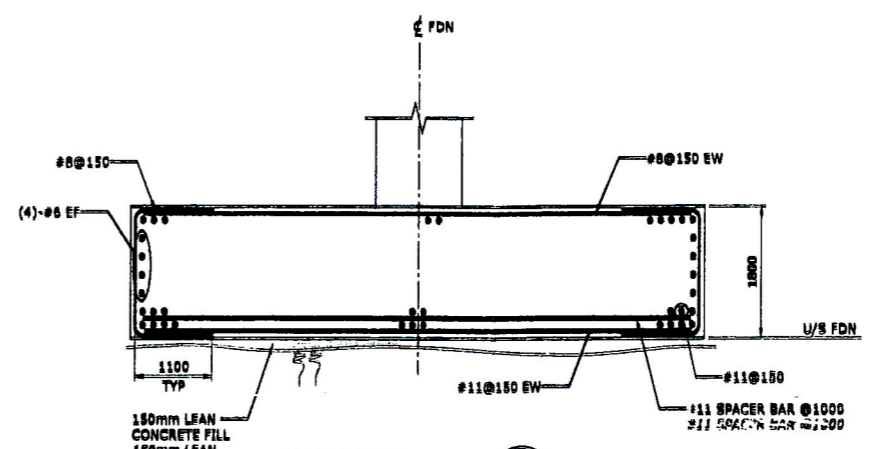
**FOUNDATION F4**  
**FOUNDATION F4**



**SECTION A**  
SCALE = 1:50  
**SECTION A**  
SCALE = 1:50



**SECTION B**  
SCALE = 1:50  
**SECTION B**  
SCALE = 1:50



**SECTION C**  
SCALE = 1:50  
**SECTION C**  
SCALE = 1:50

**SECTION D**  
SCALE = 1:25  
**SECTION D**  
SCALE = 1:25

REV.	DATE	BY	CHKD.	APPROVED	REVISION DESCRIPCIÓN	REFERENCIA DIBUJOS	REFERENCIA DIBUJOS
A	20JAN13				ISSUED FOR CLIENT REVIEW - NOT USED		
B					ISSUED FOR APPROVAL - NOT USED		
C					ISSUED FOR CONSTRUCTION		
D	28MAR13				IPC - PEDESTAL DETAIL REVISED		
1	18NOV13				IPC - PEDESTAL DETAIL REVISED		

DESIGNED BY: R. MORTAZAVI  
DRAWN BY: J. LOEWEN  
CHECKED BY: G. WAGNER  
DATE: 28MAR13  
APPROVAL DATE: 28MAR13  
DESIGNED BY: P. MAAGEN  
DATE: 28MAR13  
APPROVAL DATE: 28MAR13  
DESIGNED BY: A. KING  
DATE: 28MAR13  
APPROVAL DATE: 28MAR13

**FLUOR**

NOTICE: THIS DRAWING HAS NOT BEEN PUBLISHED AND IS THE SOLE PROPERTY OF FLUOR AND IS LOANED TO THE BORROWER FOR THEIR CONFIDENTIAL USE ONLY. AND IN CONSIDERATION OF THE LOAN OF THIS DRAWING, THE BORROWER PROMISES AND AGREES TO RETURN IT UPON REQUEST AND AGREES THAT IT WILL NOT BE REPRODUCED, COPIED, LENT OR OTHERWISE DISPOSED OF DIRECTLY OR INDIRECTLY, NOR USED FOR ANY OTHER PURPOSE OTHER THAN WHICH IT IS FURNISHED.

WBI: 331000AAB2

ENGLISH LANGUAGE SHALL GOVERN  
LA LENGUA INGLESA TENDRA PRECEDENCIA

GRINDING BALL MILL FEED SURGE BIN SECTIONS AND DETAILS SH 4

GRINDING BALL MILL FEED SURGE BIN SECTIONS AND DETAILS SH 4

SCALE: 1:100  
DRAWING NUMBER: 240K-C2-3310-15R-114  
REV: 1

MANUAL CHANGES MADE: YES  NO

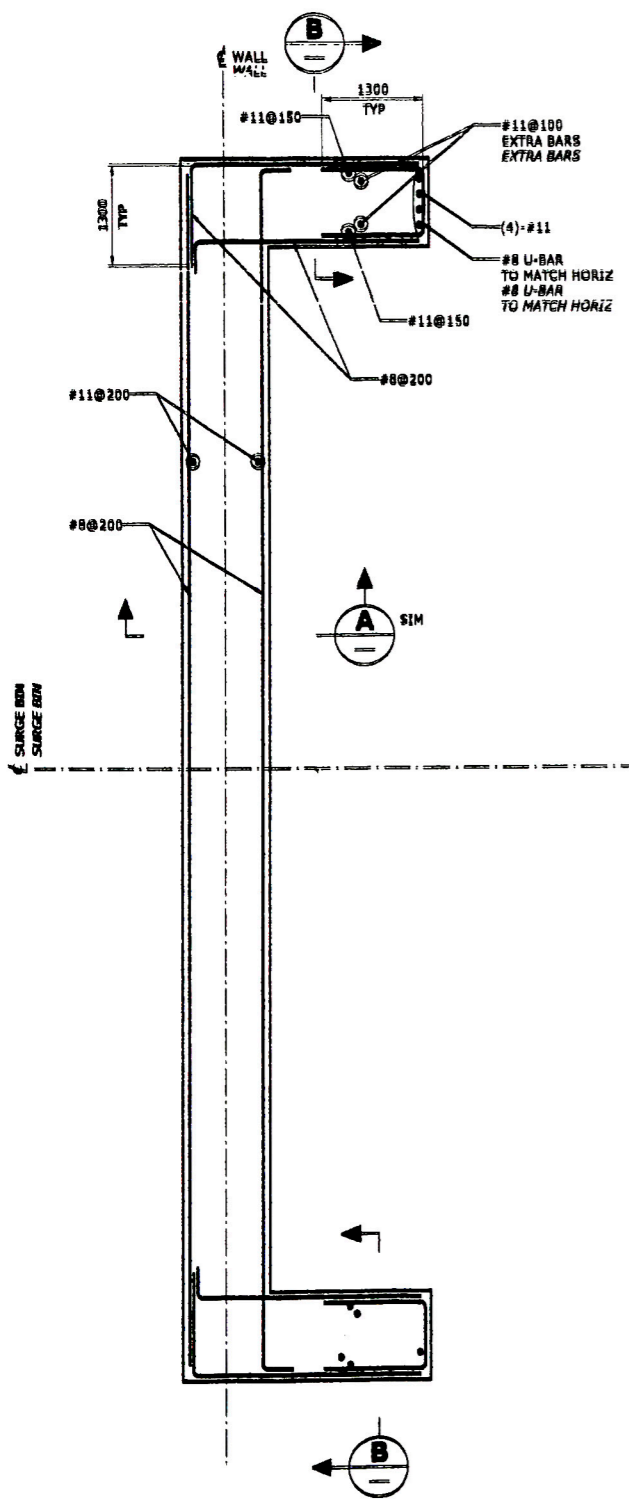
NOTE: THIS DRAWING WAS GENERATED FROM SMARTPLAN 9.0

**NOTES**

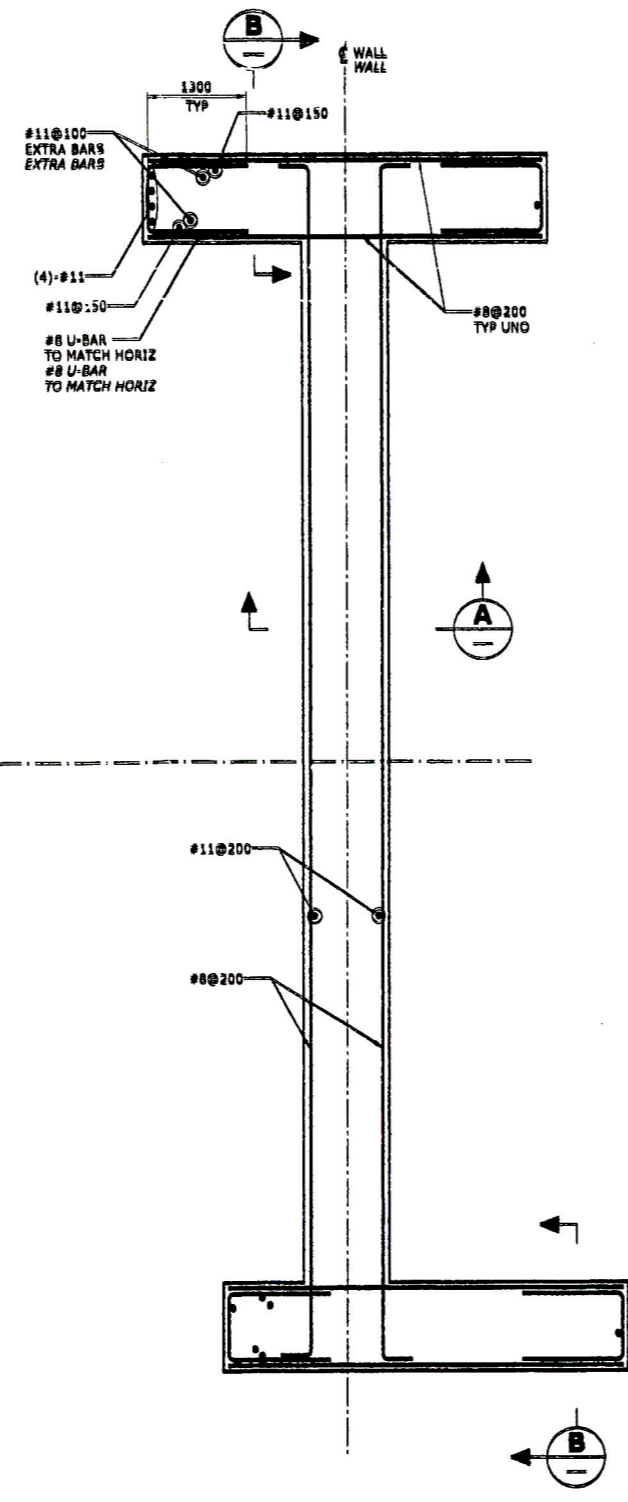
1. FOR NOTES, SURGE BIN WORK POINT AND DRAWING INDEX SEE DRAWING 240K-C2-3310-15R-101.

**NOTES**

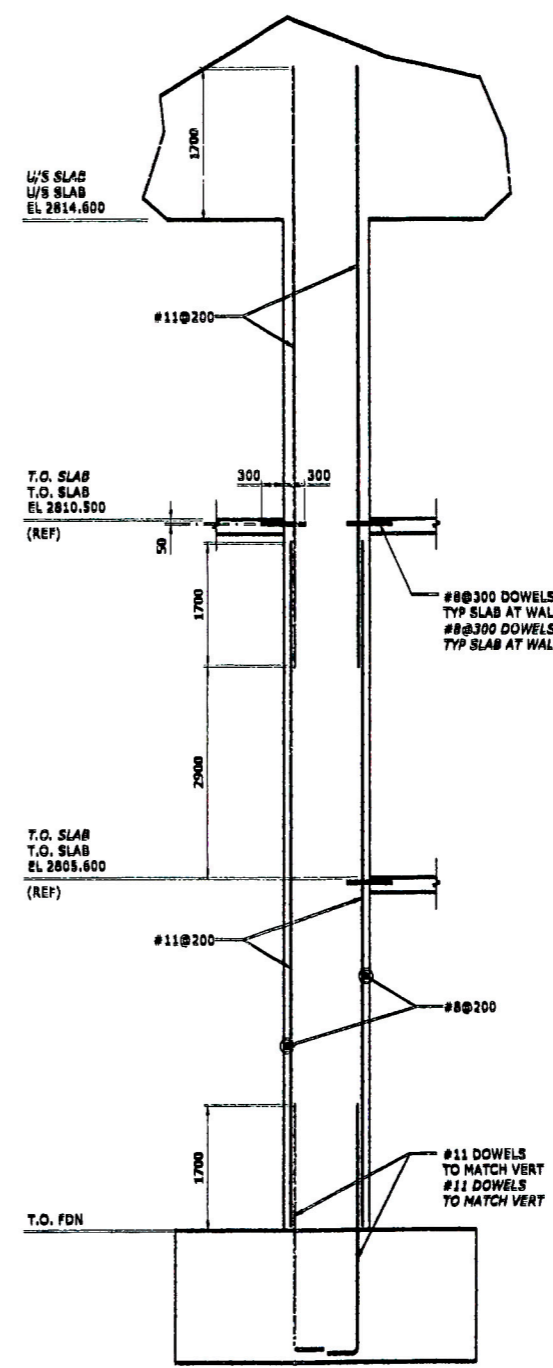
1. FOR NOTES, SURGE BIN WORK POINT AND DRAWING INDEX SEE DRAWING 240K-C2-3310-15R-101.



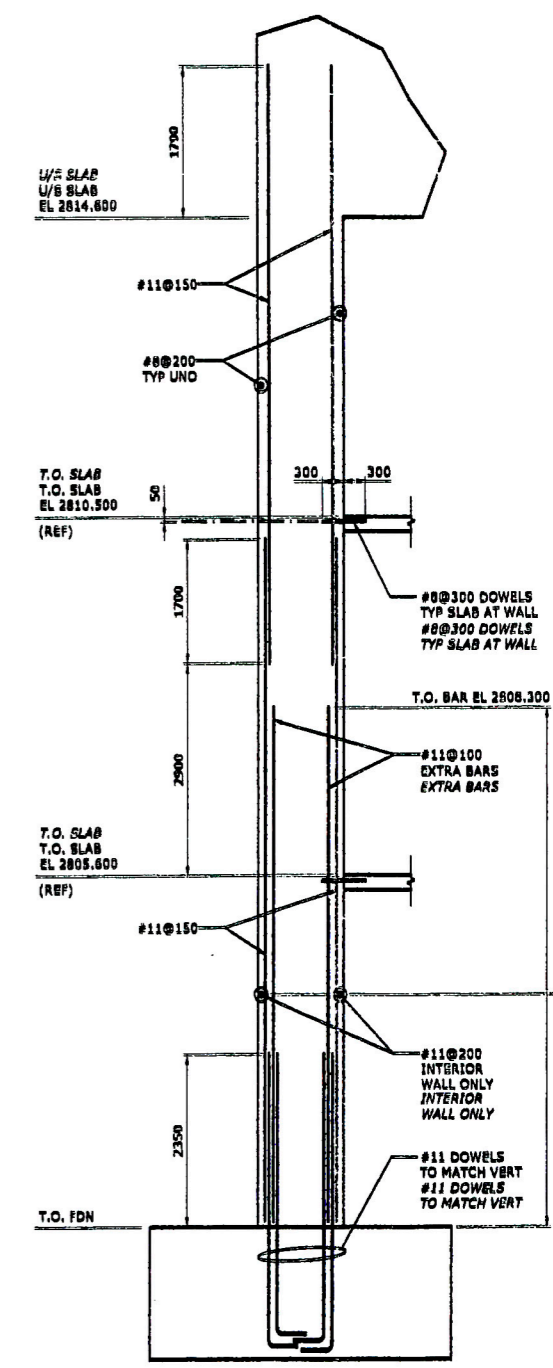
**NORTH & SOUTH END WALL REINFORCING**  
**NORTH & SOUTH END WALL REINFORCING**



**TYPICAL INTERIOR WALL REINFORCING**  
**TYPICAL INTERIOR WALL REINFORCING**



**SECTION A**  
LOOKING EAST  
**SECTION A**  
LOOKING EAST



**SECTION B**  
LOOKING NORTH/SOUTH  
**SECTION B**  
LOOKING NORTH/SOUTH

WBI: 331000A82

PUBLISHED LANGUAGE SHALL GOVERN  
LA LENGUA INGLESA TIENE PRECEDENCIA

REV.	DATE	REVISION DESCRIPTION	DESIGNED	APPROVED	REV.	DATE	REVISION DESCRIPTION	DESIGNED	APPROVED	REFERENCE DRAWING No.	REFERENCE DRAWINGS
A	12/20/11	ISSUED FOR BIDDING CHECK	RM	PH							
B		ISSUED FOR CLIENT REVIEW - NOT USED									
C		ISSUED FOR APPROVAL - NOT USED									
D	28/MAR/13	ISSUED FOR CONSTRUCTION	RM	PH							

NOTICE: THIS DRAWING HAS NOT BEEN PUBLISHED AND IS THE SOLE PROPERTY OF FLUOR AND IS LOANED TO THE BORROWER FOR THEIR CONFIDENTIAL USE ONLY. AND IN CONSIDERATION OF THE LOAN OF THIS DRAWING, THE BORROWER PROMISES AND AGREES TO RETURN IT UPON REQUEST AND AGREES THAT IT WILL NOT BE REPRODUCED, COPIED, LENT OR OTHERWISE DISPOSED OF DIRECTLY OR INDIRECTLY, NOR USED FOR ANY OTHER PURPOSE OTHER THAN WHICH IT IS FURNISHED.

**FLUOR**

DESIGNED BY	R. MORTAZAVI	DRAWN BY	M. LOEYEN
CHECKED BY	E. WONG	ENGINEER	W. WONG
LEAD ENGINEER/SUPERVISOR	F. HAAGEN	APPROVAL DATE	28/MAR/13
DESIGNER	R. THORPE	APPROVAL DATE	28/MAR/13
ENGINEERING MANAGER	A. KING	APPROVAL DATE	28/MAR/13
CLIENT	N/A	APPROVAL DATE	N/A

GRINDING  
BALL MILL FEED  
SURGE BIN  
SECTIONS AND DETAILS SH 5

GRINDING  
BALL MILL FEED  
SURGE BIN  
SECTIONS AND DETAILS SH 5

SCALE: 1:50  
DRAWING NUMBER: 240K-C2-3310-15R-115  
REV: 0

MANUAL CHANGES MADE: YES  NO

NOTE: THIS DRAWING WAS GENERATED FROM SMARTPLANT 3D

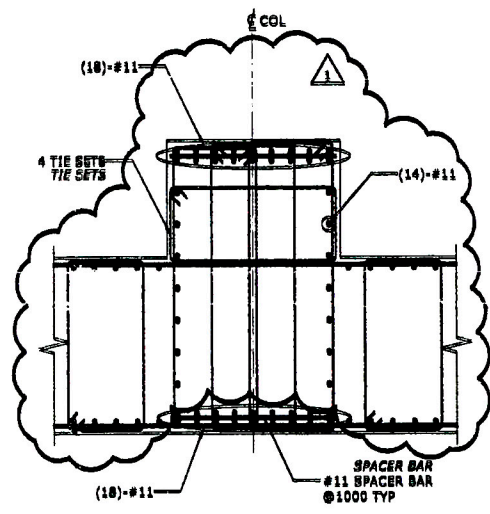
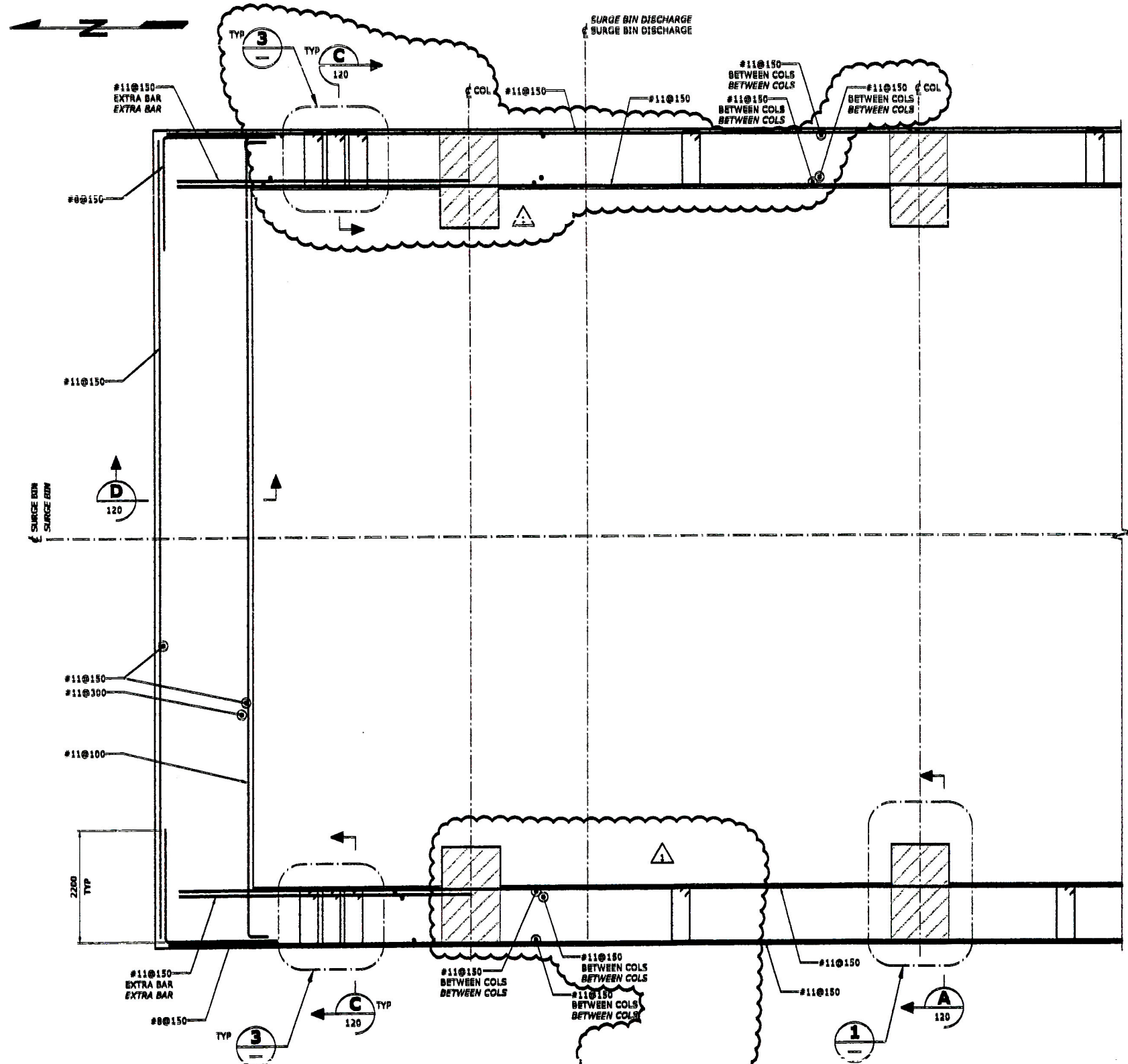


**NOTES**

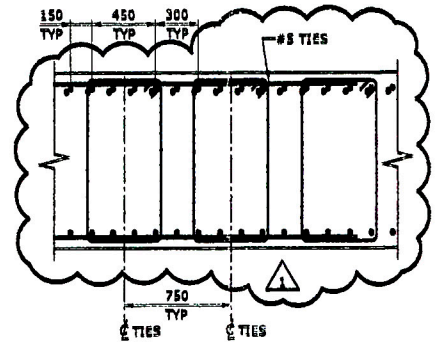
1. FOR NOTES, SURGE BIN WORK POINT AND DRAWING INDEX SEE DRAWING 240K-C2-3310-15R-101.

**NOTES**

1. FOR NOTES, SURGE BIN WORK POINT AND DRAWING INDEX SEE DRAWING 240K-C2-3310-15R-101.



**DETAIL 1**  
SCALE = 1:25



**DETAIL 3**  
SCALE = 1:25

**PARTIAL PLAN - WALL REINFORCEMENT AT T.O.C. EL 2823.100**  
**PARTIAL PLAN - WALL REINFORCEMENT AT T.O.C. EL 2823.100**

**SECTION A**  
111

**WBI:** 331000AAB2

BRAND LANGUAGE SHALL GOVERN  
LA LINGUA EN LA QUE SE PRESENTA PRECEDERÁ

REV	DATE	DESCRIPTION	DESIGNER	APPROVED	DATE	REFERENCE DRAWING No.	REFERENCE DRAWINGS
A	18MAR13	ISSUED FOR CLIENT REVIEW - NOT USED EMITIDO PARA REVISIÓN MULTIDISCIPLINARIA NO UTILIZADO	BH	PH			
B		ISSUED FOR APPROVAL - NOT USED EMITIDO PARA LA REVISIÓN DEL CLIENTE - NO UTILIZADO					
C		ISSUED FOR CONSTRUCTION EMITIDO PARA CONSTRUCCIÓN	BH	PH			
1	11OCT13	IPC - COL LOCATIONS REVISED/REBAR REVISED IPC - COL LOCATIONS REVISED/REBAR REVISED	CW	PH			

NOTICE: THIS DRAWING HAS NOT BEEN PUBLISHED AND IS THE SOLE PROPERTY OF FLUOR AND IS LOANED TO THE BORROWER FOR THEIR CONFIDENTIAL USE ONLY. AND IN CONSIDERATION OF THE LOAN OF THIS DRAWING, THE BORROWER PROMISES AND AGREES TO RETURN IT UPON REQUEST AND AGREES THAT IT WILL NOT BE REPRODUCED, COPIED, LENT OR OTHERWISE DISPOSED OF DIRECTLY OR INDIRECTLY, NOR USED FOR ANY OTHER PURPOSE OTHER THAN WHICH IT IS FURNISHED.

**FLUOR**

DESIGNED BY	DRAWN BY	CHECKED BY	APPROVAL DATE	SCALE	DRAWING NUMBER	REV
R. MORTARANI	M. LOBVEN	G. WONG	28MAR13	1:50	240K-C2-3310-15R-117	1

MANUAL CHANGES MADE: YES  NO

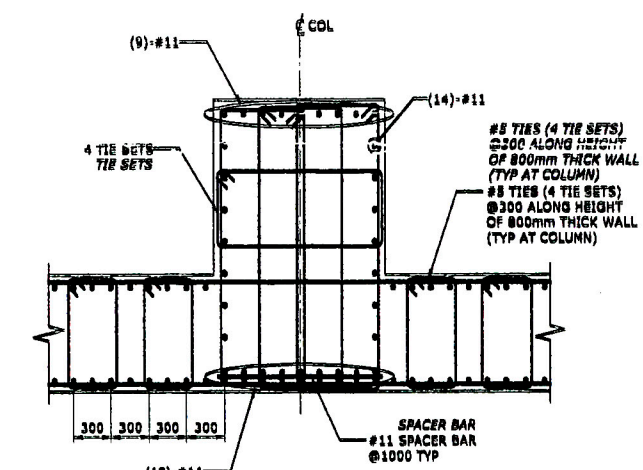
NOTE: THIS DRAWING WAS GENERATED FROM SMARTPLANT 3D

**NOTES**

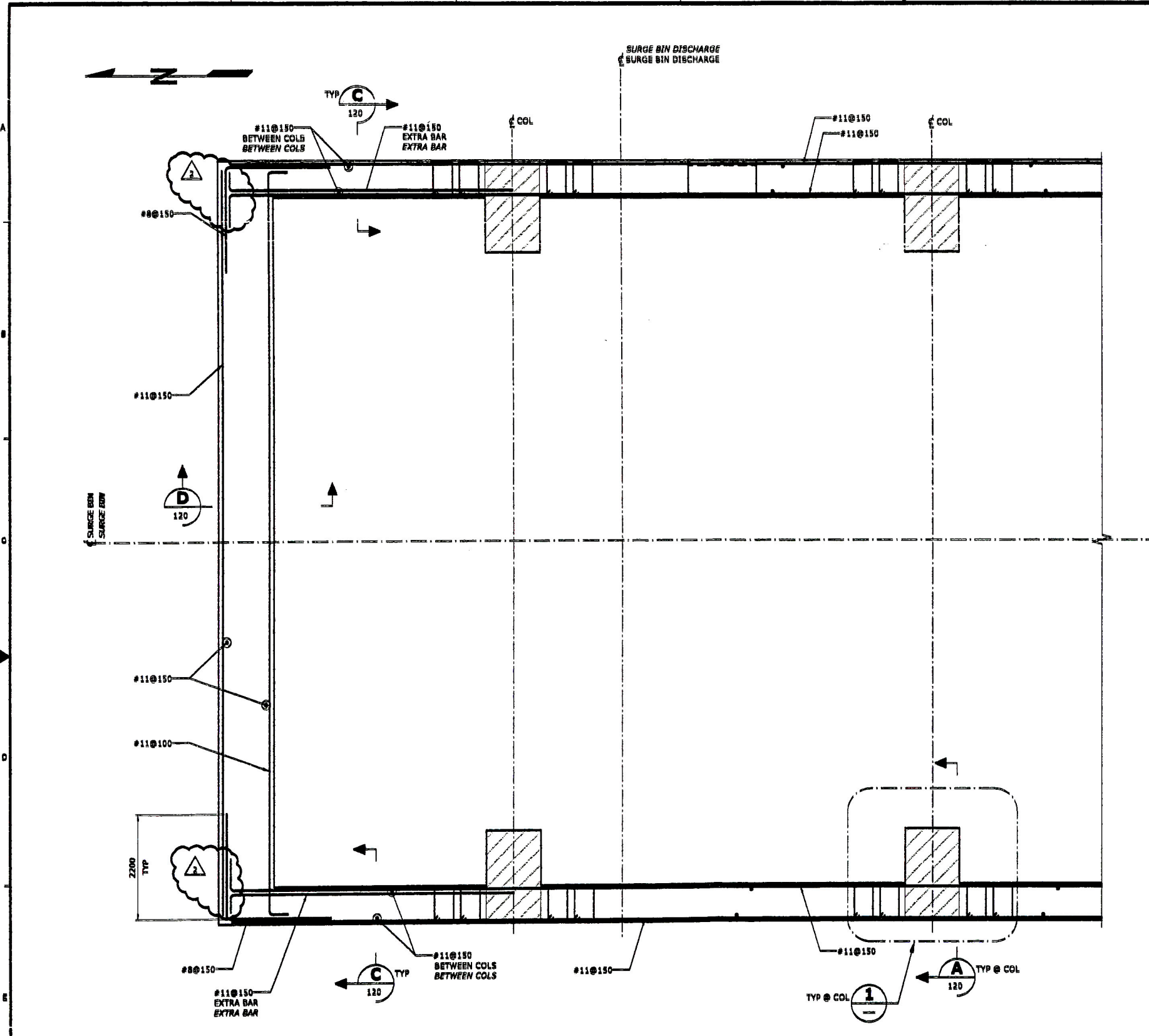
1. FOR NOTES, SURGE BIN WORK POINT AND DRAWING INDEX SEE DRAWING 240K-C2-3310-15R-101.

**NOTES**

1. FOR NOTES, SURGE BIN WORK POINT AND DRAWING INDEX SEE DRAWING 240K-C2-3310-15R-101.



**DETAIL**  
SCALE = 1:25  
**DETAIL**  
SCALE = 1:25



**PARTIAL PLAN - WALL REINFORCEMENT AT T.O.C. EL 2829.100**  
**PARTIAL PLAN - WALL REINFORCEMENT AT T.O.C. EL 2829.100**

**SECTION**  
**A**  
111

**WBI:** 331000AAB2

ENGLISH LANGUAGE SHALL GOVERN  
LA LENGUA INGLESA TENDRA PRECEDENCIA

REV.	DATE	REVISION DESCRIPTION	DESIGNER	APPROVED	DATE	REVISION DESCRIPTION	DESIGNER	APPROVED	DATE	REFERENCE DRAWING NO.	REFERENCE DESCRIPTION
A	16JAN13	ISSUED FOR CLIENT REVIEW ENTRADO PARA REVISION MULTIDISCIPLINARIA	PH	PH							
B		ISSUED FOR CLIENT REVIEW - NOT USED ENTRADO PARA LA REVISION DEL CLIENTE - NO UTILIZADO									
C		ISSUED FOR APPROVAL - NOT USED ENTRADO PARA APROBACION - NO UTILIZADO									
D		ISSUED FOR CONSTRUCTION ENTRADO PARA CONSTRUCCION	PH	PH							
1	11OCT12	IPC - COL LOCATIONS REVISED/REBAR REVISED IPC - COL LOCATIONS REVISED/REBAR REVISED	NM	PH							
2	18NOV12	IPC - REBAR REVISED IPC - REBAR REVISED	NM	PH							

**SOCIODINAMICA**  
**cerro verde S.A.S**

CERRO VERDE PRODUCTION UNIT EXPANSION

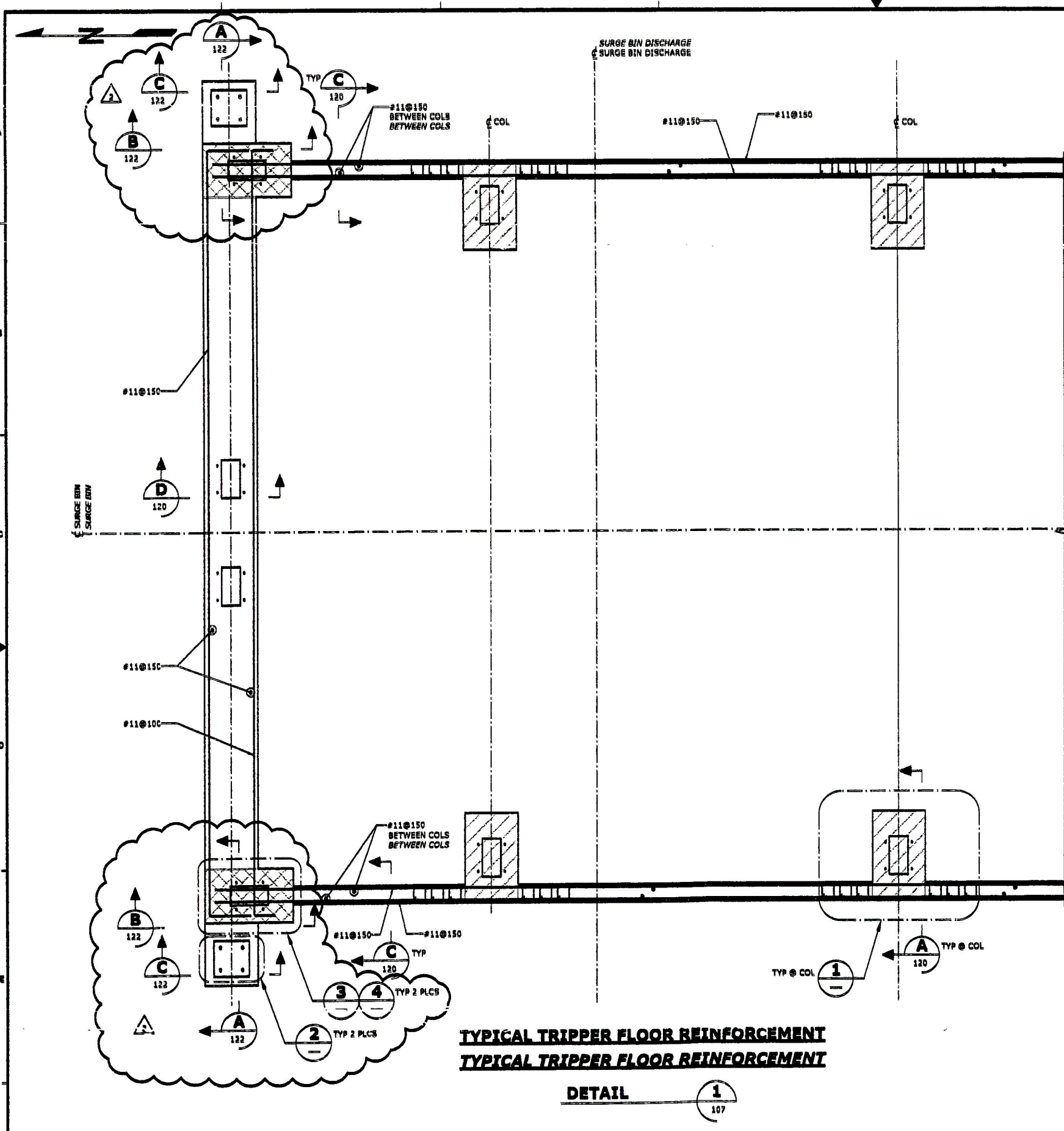
**FLUOR**

DESIGNED BY K. MURFAZAVI	DRAWN BY M. LOEWEN
CHECKED BY E. M. JACO	PROJECT ENGINEER W. TUNO
LEAD ENGINEER/PROJECT MGR. P. HAAGEN	APPROVAL DATE 28MAR13
REGISTERED ENGINEER R. THORPE	APPROVAL DATE 28MAR13
ENGINEERING MANAGER A. KING	APPROVAL DATE 28MAR13
CLIENT N/A	APPROVAL DATE N/A

SCALE: 1:50  
DRAWING NUMBER: 240K-C2-3310-15R-118  
REV: 2

MANUAL CHANGES MADE - YES  NO

NOTE: THIS DRAWING WAS GENERATED FROM SMARTPLANT 3D



**3310 HOLD TABLE**

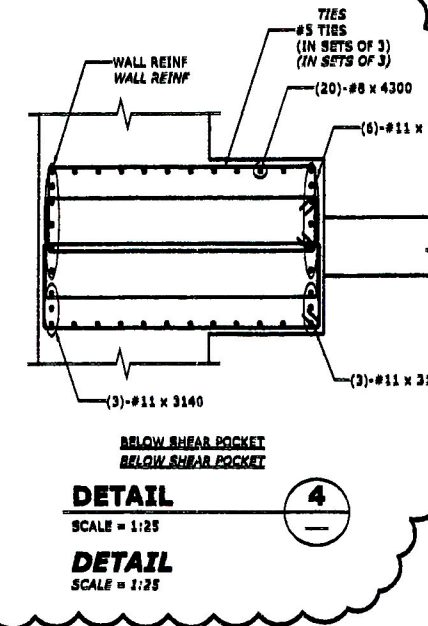
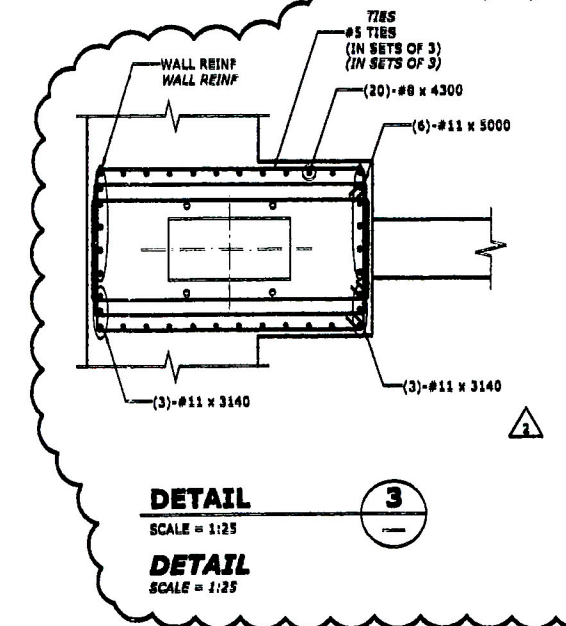
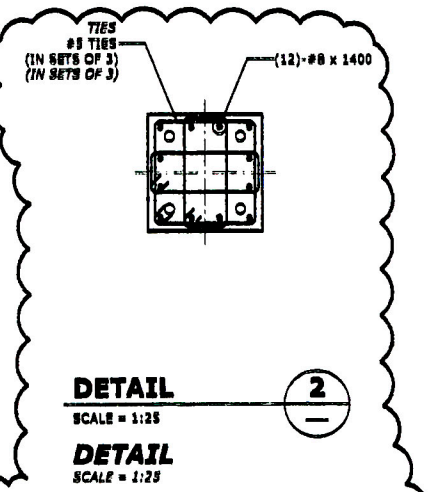
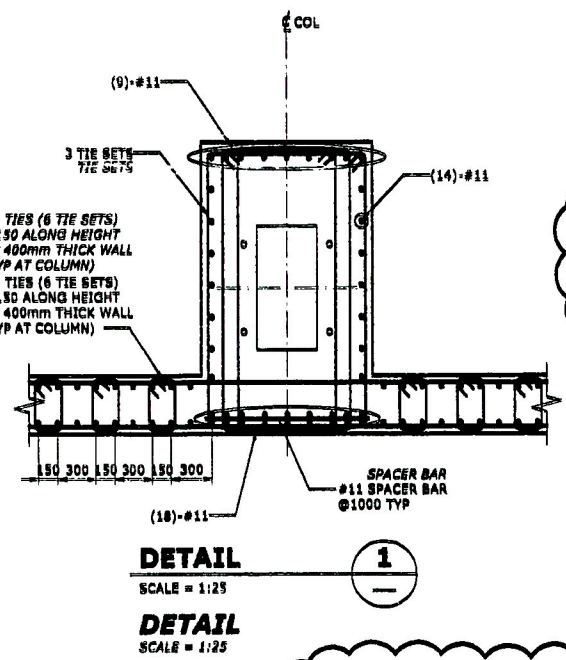
NO	DESCRIPTION	ISSUED	ACTION BY	RELEASED
5	REDESIGN OF CONCRETE TO COME	REV 1	STRUCT	2

**NOTES**

1. FOR NOTES AND DRAWING INDEX SEE DRAWING 240K-C2-3310-15R-101.

**NOTES**

1. FOR NOTES AND DRAWING INDEX SEE DRAWING 240K-C2-3310-15R-101.



**TYPICAL TRIPPER FLOOR REINFORCEMENT**

**DETAIL 1**  
107

REV	DATE	REVISION DESCRIPTION	DESIGNER	APPROVED	REV	DATE	REVISION DESCRIPTION	DESIGNER	APPROVED	REFERENCE DRAWING NO.	REFERENCE DRAWINGS
A	16JAN13	ISSUED FOR CLIENT REVIEW - NOT USED EMITIDO PARA REVISION MULTIDISCIPLINARIA	RM	PH							
B		ISSUED FOR CLIENT REVIEW - NOT USED EMITIDO PARA LA REVISION DEL CLIENTE - NO UTILIZADO									
C		ISSUED FOR APPROVAL - NOT USED EMITIDO PARA APROBACION - NO UTILIZADO									
D	28MAR13	ISSUED FOR CONSTRUCTION EMITIDO PARA CONSTRUCCION	RM	PH							
1H	11OCT13	IPC - COL LOCATIONS REVISED (WITH HOLD)	RM	PH							
		IPC - COL LOCATIONS REVISED (WITH HOLD)	CW								
1	18NOV13	IPC - HOLD RELEASED/DETAILS ADDED	RM	PH							
		IPC - HOLD RELEASED/DETAILS ADDED	CW								

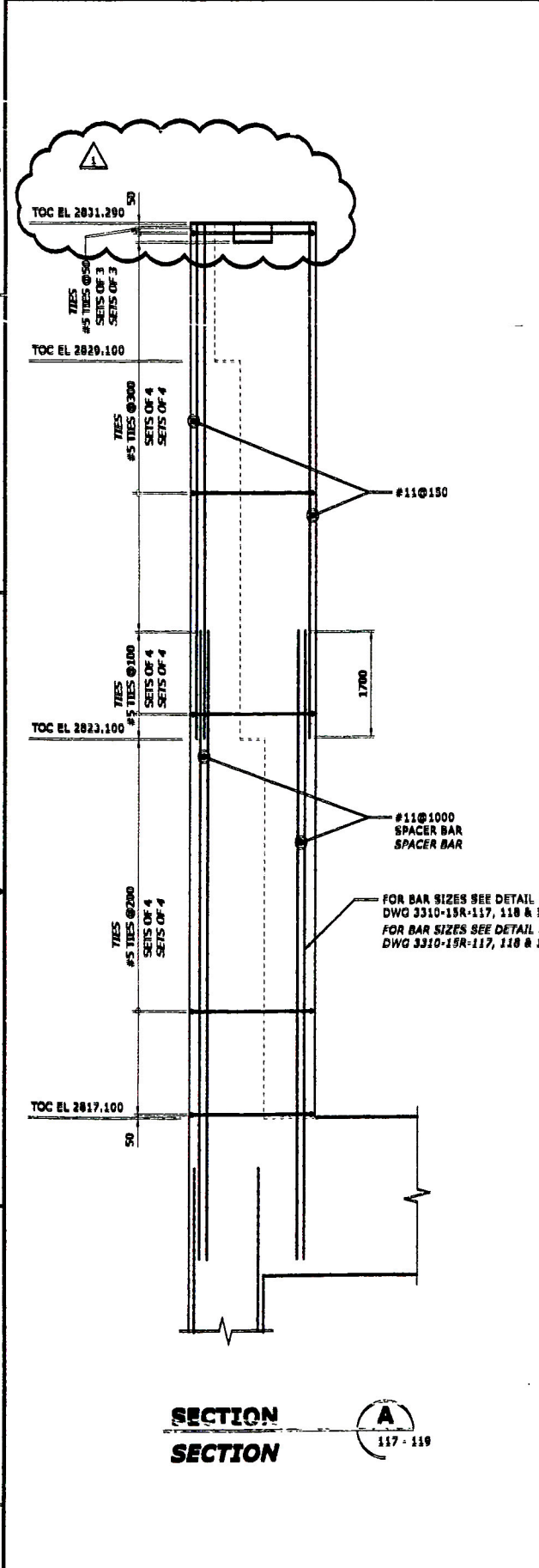
NOTICE: THIS DRAWING HAS NOT BEEN PUBLISHED AND IS THE SOLE PROPERTY OF FLUOR AND IS LENT TO THE BORROWER FOR THEIR CONFIDENTIAL USE ONLY. AND IN CONSIDERATION OF THE LOAN OF THIS DRAWING, THE BORROWER PROMISES AND AGREES TO RETURN IT UPON REQUEST AND AGREES THAT IT WILL NOT BE REPRODUCED, COPIED, LENT OR OTHERWISE DISPOSED OF DIRECTLY OR INDIRECTLY, NOR USED FOR ANY OTHER PURPOSE OTHER THAN WHICH IT IS FURNISHED.

**FLUOR**

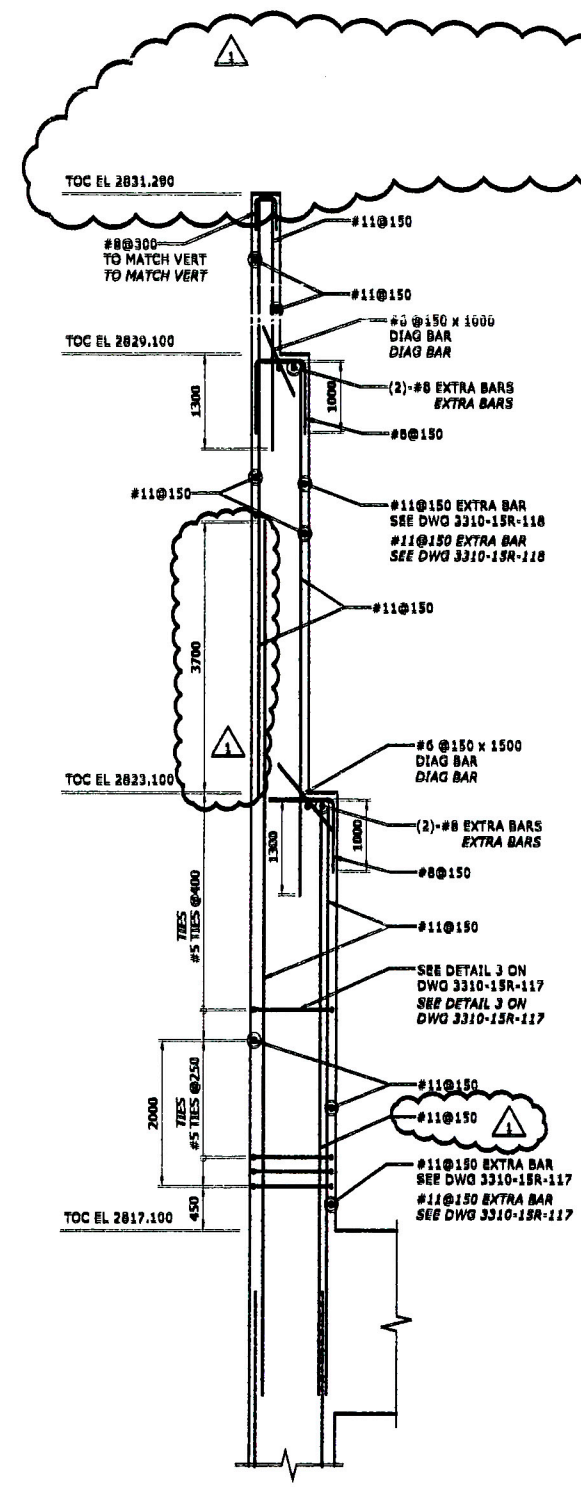
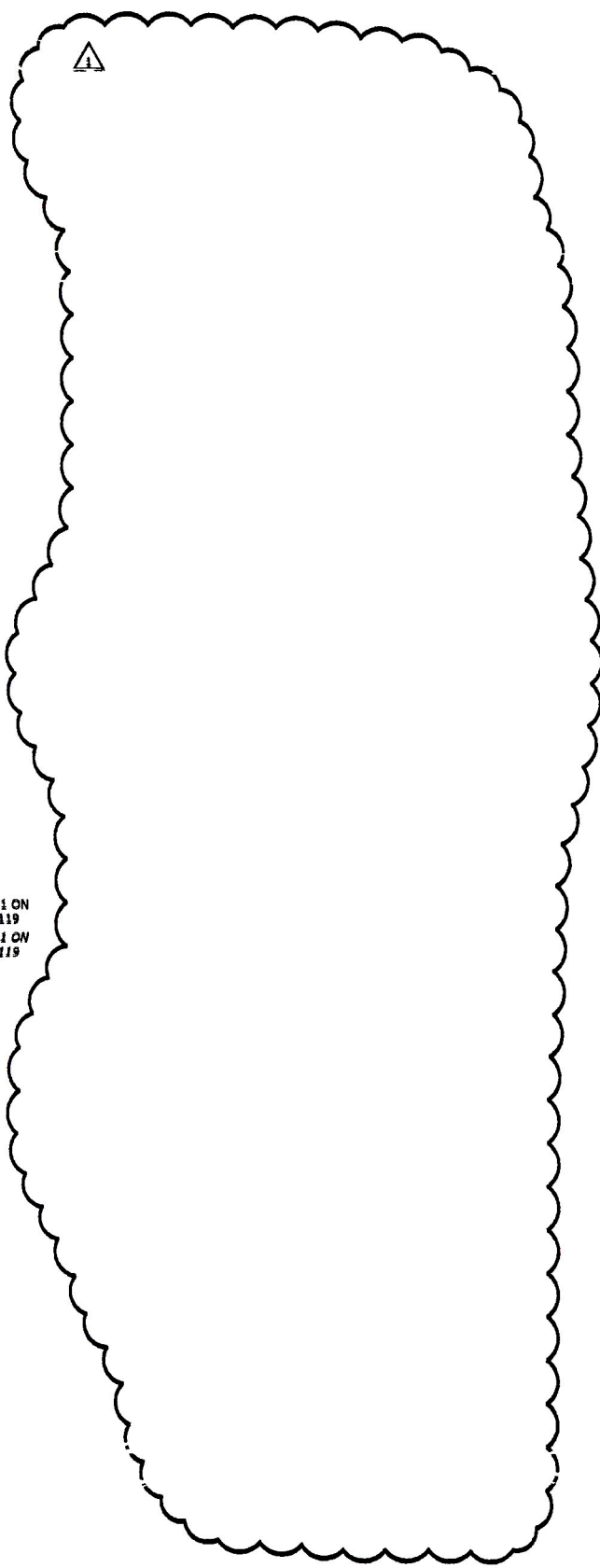
DESIGNED BY S. MONTAZAVI	DRAWN BY M. LOEWEN	GRINDING BALL MILL FEED SURGE BIN SECTIONS AND DETAILS SH 9
CHECKED BY E. WUEND	DESIGNED BY W. TUNO	GRINDING BALL MILL FEED SURGE BIN SECTIONS AND DETAILS SH 9
LEAD ENGINEER/DESIGNER P. HAAGEN	APPROVAL DATE 28MAR13	
AREA MANAGER A. THORPE	APPROVAL DATE 28MAR13	
ENGINEER/DESIGNER A. KING	APPROVAL DATE 28MAR13	
CLIENT N/A	APPROVAL DATE N/A	SCALE 1:50
DRAWING NUMBER 240K-C2-3310-15R-119		REV. 2

MANUAL CHANGES MADE - YES  NO

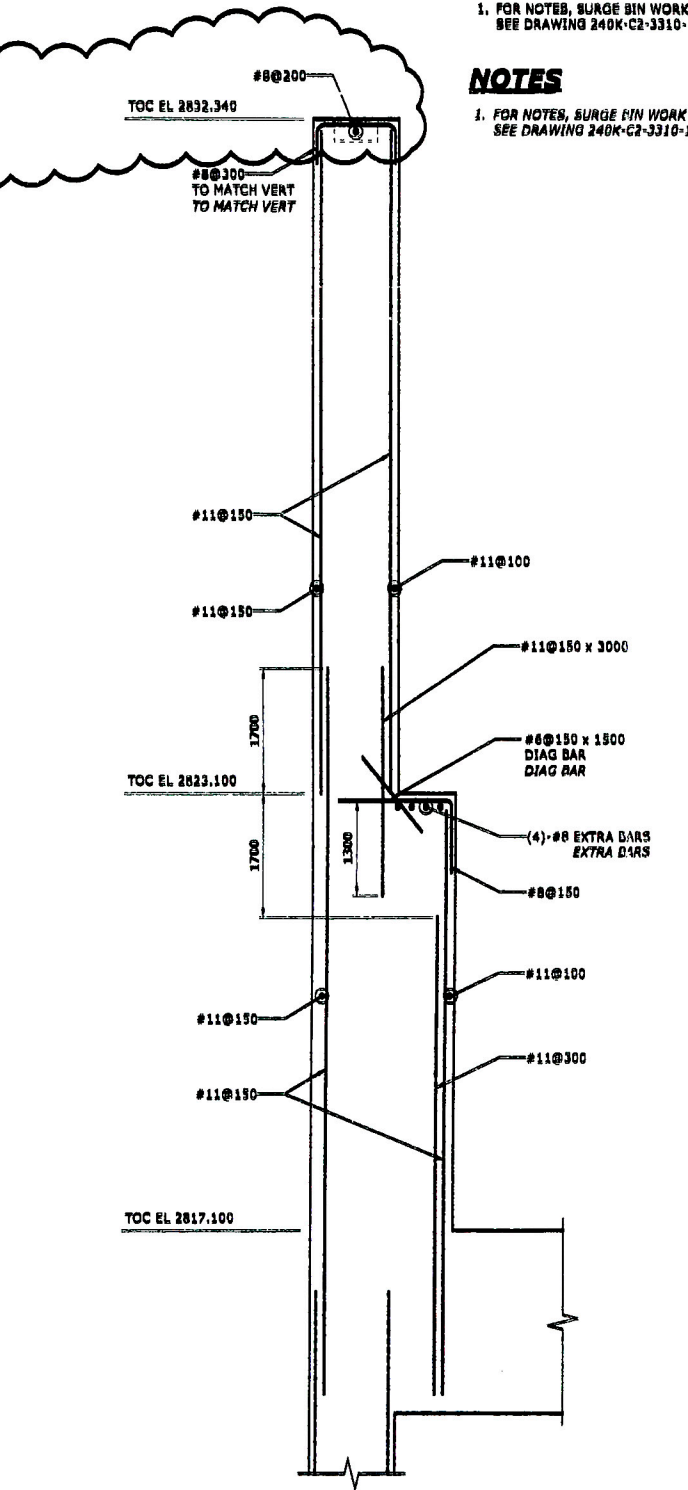
NOTE: THIS DRAWING WAS GENERATED FROM SMARTPLANT 3D



**SECTION A**  
SECTION  
117 - 119



**SECTION C**  
SECTION  
117 - 119



**SECTION D**  
SECTION  
117 - 119

**NOTES**  
1. FOR NOTES, SURGE BIN WORK POINT AND DRAWING INDEX SEE DRAWING 240K-C2-3310-15R-101.

**NOTES**  
1. FOR NOTES, SURGE BIN WORK POINT AND DRAWING INDEX SEE DRAWING 240K-C2-3310-15R-101.

**WBI:** 331000AAB2

ENGLISH LANGUAGE SHALL GOVERN  
LA LENGUA INGLESA TENDRA PRECEDENCIA

REV	DATE	REVISION DESCRIPTION	APPROVED	DATE	REVISION DESCRIPTION	APPROVED	DATE	REFERENCE DRAWING NO.	REFERENCE DRAWING
A	16JAN13	ISSUED FOR CLIENT REVIEW - NOT USED ENTRADO PARA REVISION MULTIDISCIPLINARIA	PH						
B		ISSUED FOR CLIENT REVIEW - NOT USED ENTRADO PARA LA REVISION DEL CLIENTE - NO UTILIZADO	PH						
C		ISSUED FOR APPROVAL - NOT USED ENTRADO PARA APROBACION - NO UTILIZADO	PH						
D	28MAR13	ISSUED FOR CONSTRUCTION ENTRADO PARA CONSTRUCCION	PH						
1	11OCT13	IPC - SECTION 9 DELETED/REBAR REVISED IPC - SECTION 8 DELETED/REBAR REVISED	PH						

PROYECTO: **GRINDING BALL MILL FEED SURGE BIN**

SECCIONES Y DETALLES SH 10

GRINDING BALL MILL FEED SURGE BIN SECCIONES Y DETALLES SH 10

GRINDING BALL MILL FEED SURGE BIN SECCIONES Y DETALLES SH 10

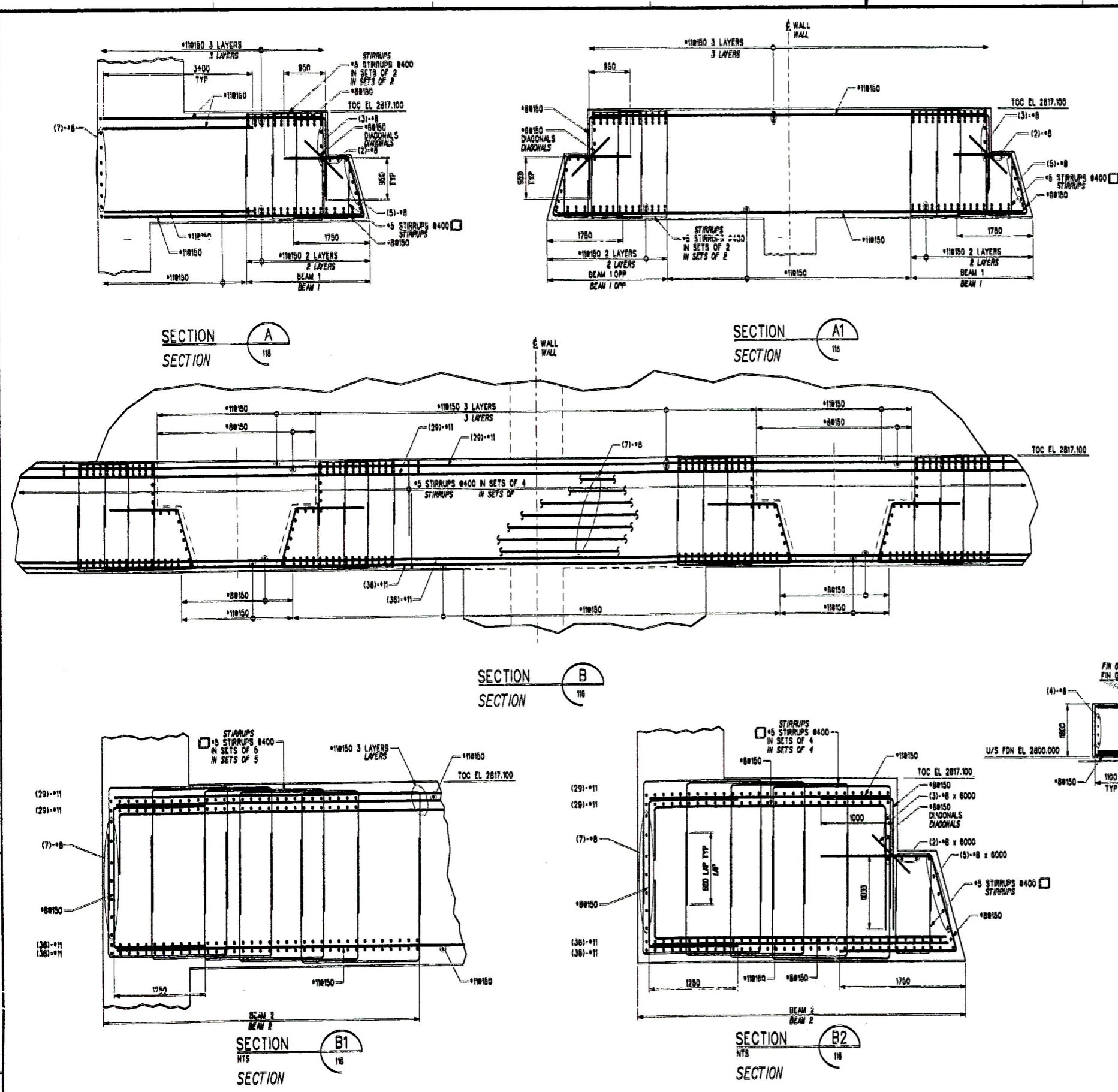
NOTICE: THIS DRAWING HAS NOT BEEN PUBLISHED AND IS THE SOLE PROPERTY OF FLUOR AND IS LENT TO THE BORROWER FOR THEIR CONFIDENTIAL USE ONLY. AND IN CONSIDERATION OF THE LOAN OF THIS DRAWING, THE BORROWER AGREES TO RETURN IT UPON REQUEST AND AGREES THAT IT WILL NOT BE REPRODUCED, COPIED, LENT OR OTHERWISE DISPOSED OF DIRECTLY OR INDIRECTLY, NOR USED FOR ANY OTHER PURPOSE OTHER THAN WHICH IT IS FURNISHED.

**FLUOR**

DESIGNER	CHECKED	APPROVAL DATE	SCALE	DRAWING NUMBER	REV.
G. WONG	W. TUNG	28MAR13	1:50	240K-C2-3310-15R-120	1

MANUAL CHANGES MADE - YES  NO

NOTE: THIS DRAWING WAS GENERATED FROM SMARTPLANT 3D



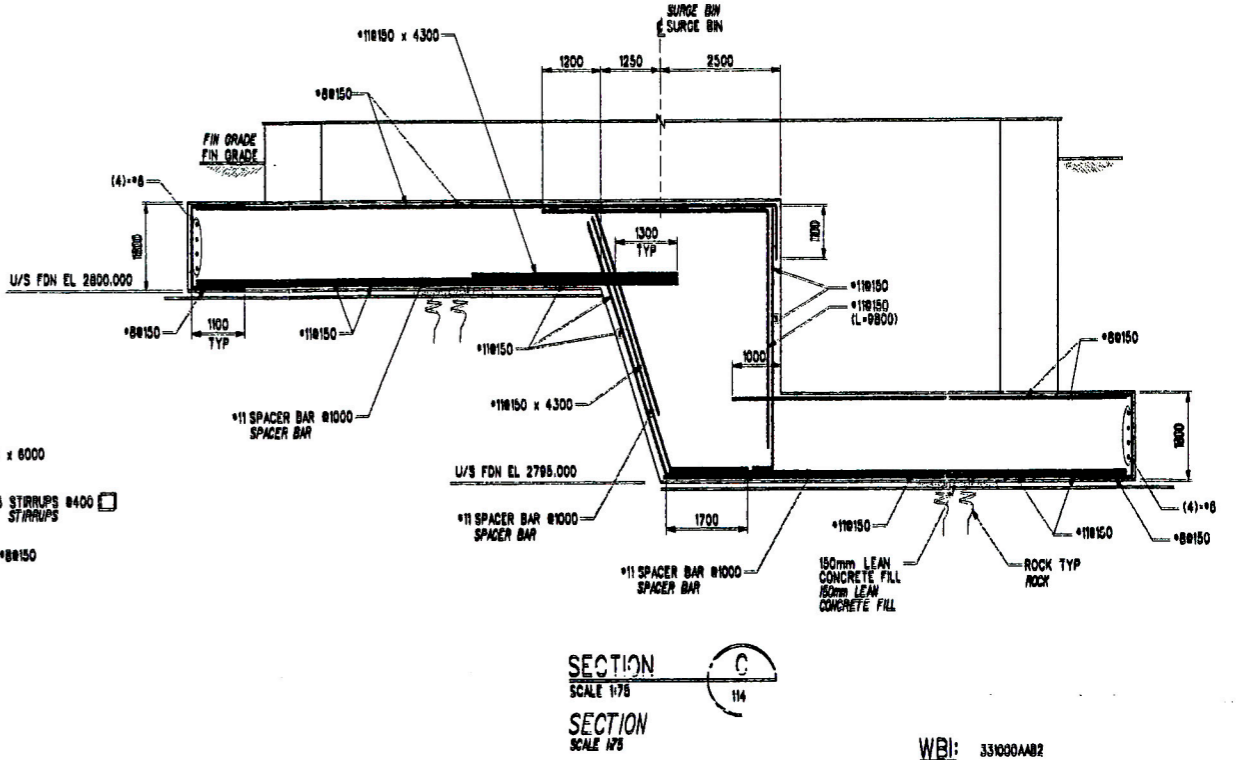
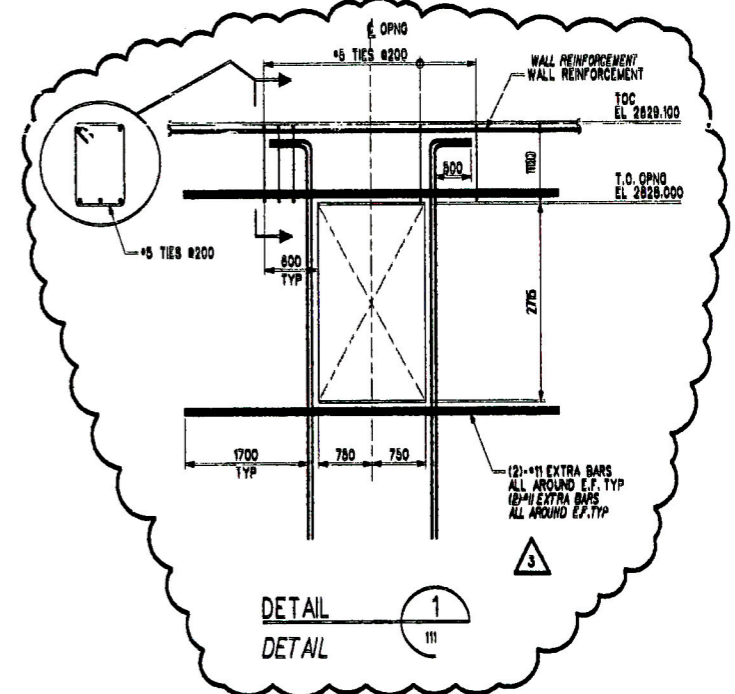
**NOTES:**

- FOR NOTES AND DRAWING INDEX SEE DRAWING 240K-C2-3310-15R-101.
- REINFORCING BARS TO BE ADJUSTED TO CLEAR AIR CANNON PIPES. SEE DRAWING 240K-C2-3310-15R-106 FOR LOCATION OF OPENINGS.

**NOTAS:**

- FOR NOTES AND DRAWING INDEX SEE DRAWING 240K-C2-3310-15R-101.
- REINFORCING BARS TO BE ADJUSTED TO CLEAR AIR CANNON PIPES. SEE DRAWING 240K-C2-3310-15R-106 FOR LOCATION OF OPENINGS.

HOLD TABLE				
NO	DESCRIPTION	ISSUED	ACTION BY	RELEASED
1	PENDING TRIPPER STEEL LAYOUT	REV 0	STRUCT	J
2	PENDING TRIPPER STEEL LAYOUT	REV 0	STRUCT	J
3	PENDING DUST COLLECTOR LCGH	REV 0	STRUCT	J



WBI: 331000482

IN CASE OF CONFLICT ENGLISH LANGUAGE TEXT SHALL GOVERN  
EN CASO DE CONFLICTO EL TEXTO EN INGLES TENDRA PRIORIDAD

REV	DATE	REVISION DESCRIPTION	DESIGNER	APPROVED	REV	DATE	REVISION DESCRIPTION	DESIGNER	APPROVED	REFERENCE DRAWING No.	REFERENCE DRAWINGS
A	15JAN13	ISSUED FOR SOLID CHECK EMITIDO PARA REVISION MAQUINOPRIMARIA	RM	PH	3	15MAY13	FC - HOLD RELEASED/DETAILS REVISED FC - HOLD RELEASED/DETALLES REVISADOS	RM	PH		
B		ISSUED FOR CLIENT REVIEW - NOT USED EMITIDO PARA LA REVISION DEL CLIENTE - NO UTILIZADO									
C		ISSUED FOR APPROVAL - NOT USED EMITIDO PARA APROBACION - NO UTILIZADO									
D	28MAR13	ISSUED FOR CONSTRUCTION EMITIDO PARA CONSTRUCCION	RM	PH				RM	PH		
M	03SEP13	FC - BIN OPENING REVISED	RM	PH				RM	PH		
2H	11OCT13	FC - REBAR ADDED/SECTIONS REVISED (WITH HOLD) FC - REBAR ADDED/SECCIONES REVISADO (CON HOLD)	RM	PH				RM	PH		

**Cerro Verde**

NOTICE: THIS DRAWING HAS NOT BEEN PUBLISHED AND IS THE SOLE PROPERTY OF FLUOR AND IS LENT TO THE BORROWER FOR THEIR CONFIDENTIAL USE ONLY AND IN CONSIDERATION OF THE LOAN OF THIS DRAWING, THE BORROWER PROMISES AND AGREES TO RETURN IT UPON REQUEST AND AGREES THAT IT WILL NOT BE REPRODUCED, COPIED, LENT OR OTHERWISE DISPOSED OF DIRECTLY OR INDIRECTLY, NOR USED FOR ANY PURPOSE OTHER THAN THAT FOR WHICH IT IS FURNISHED.

**FLUOR**

DESIGNED BY: R. MORTAZAVI  
CHECKED BY: C. TUNG  
LEAD ENGINEER: P. HAAGEN  
AREA MANAGER: R. THORPE  
ENGINEERING SUPERVISOR: A. KING  
CLIENT: N/A

DRAWN BY: M. LOEVEN  
CHECKED BY: W. TUNG  
APPROVAL DATE: 28MAR13  
APPROVAL DATE: 28MAR13  
APPROVAL DATE: 28MAR13  
APPROVAL DATE: N/A

GRINDING BALL MILL FEED SURGE BIN  
SECTIONS AND DETAILS SH 11

GRINDING BALL MILL FEED SURGE BIN  
SECTIONS AND DETAILS SH 11

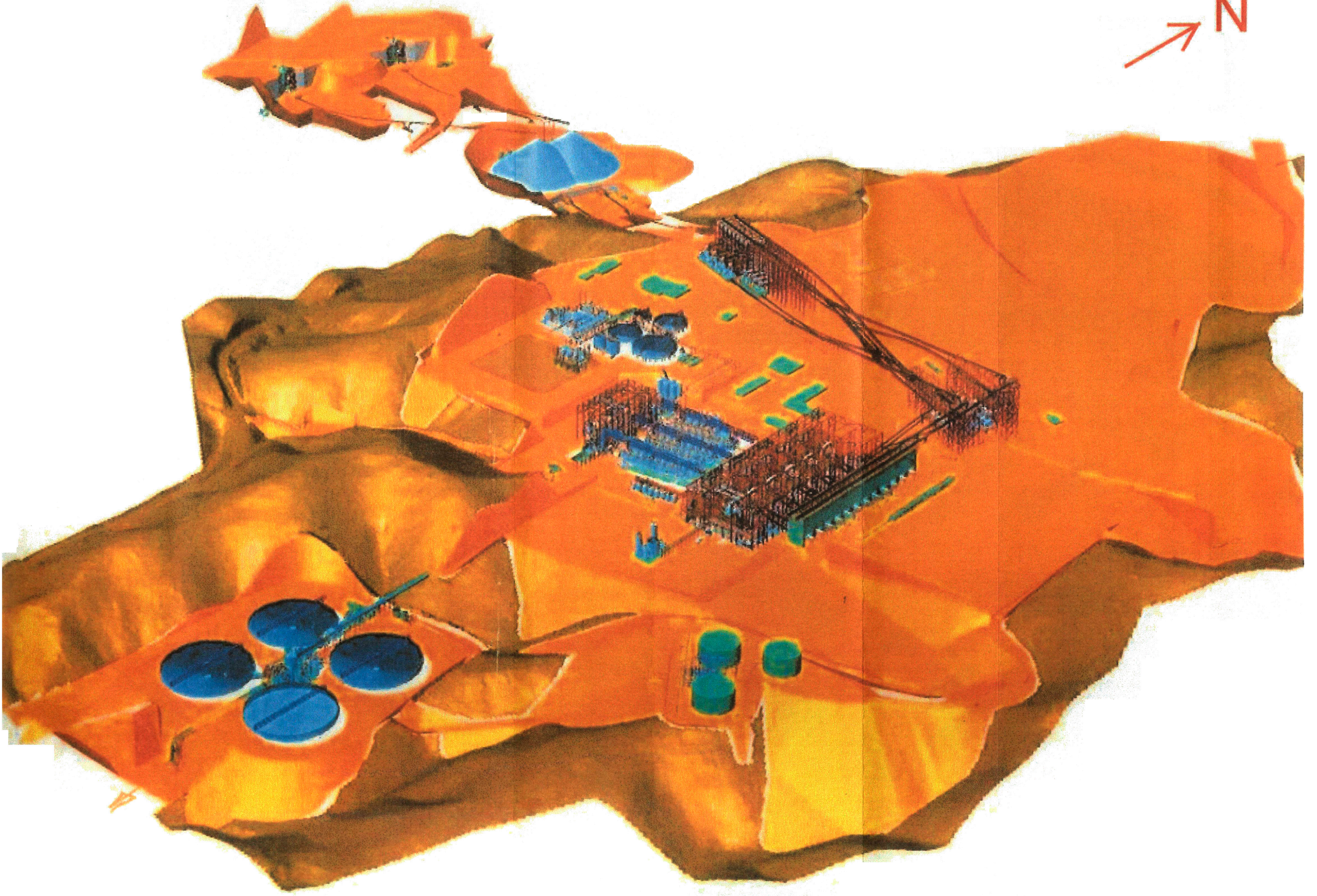
SCALE: 1:50 UNO  
DRAWING NUMBER: 240K-C2-3310-15R-121  
REV: 3

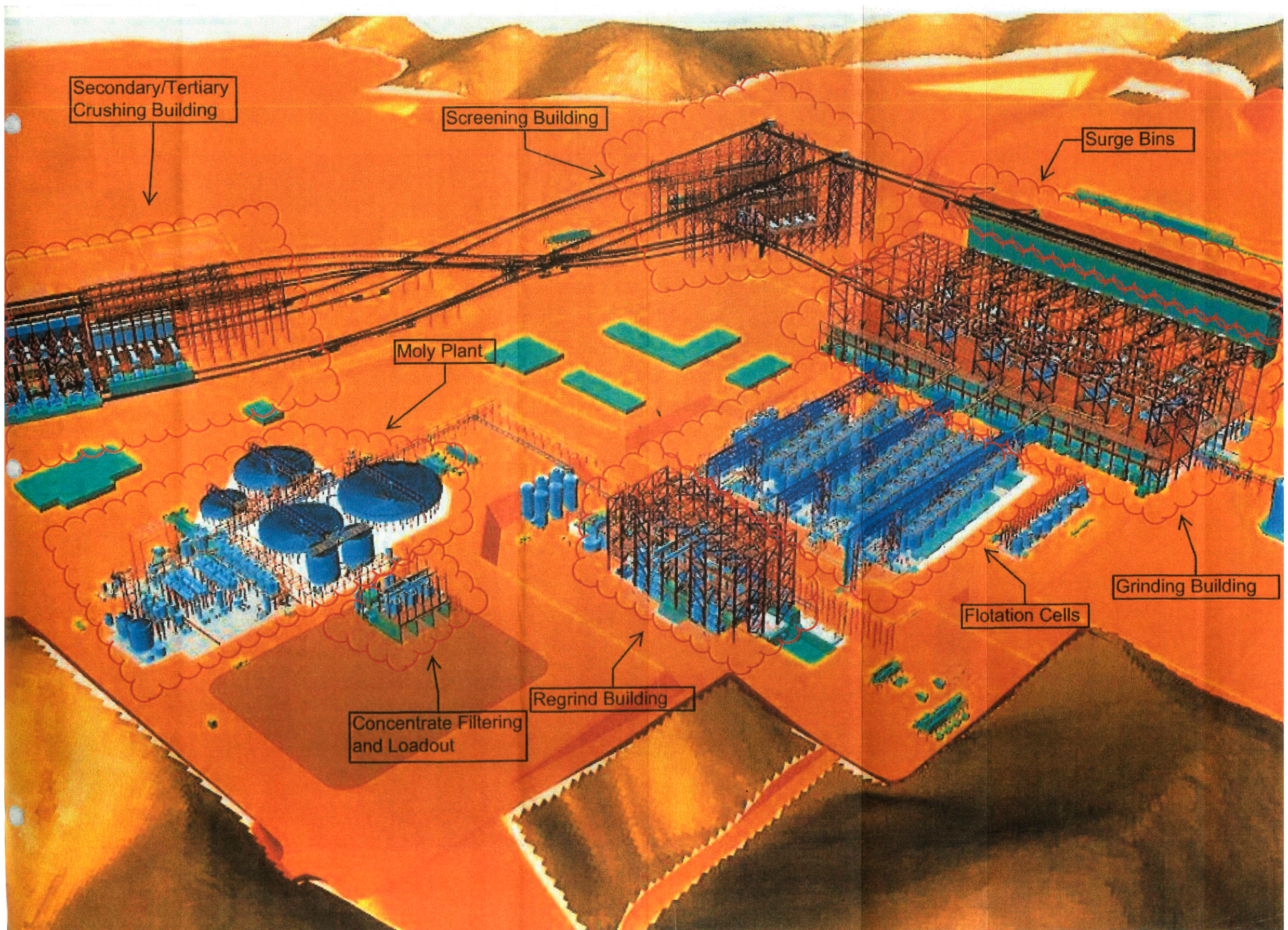
MANUAL CHANGES MADE: YES  NO  DWG. FILE UPDATED: YES  NO  MODEL UPDATED: YES  NO

11/19/2013

CAJ FILE NAME: P:\CAD\21510WQVA\331015R121.DGN

N





Secondary/Tertiary  
Crushing Building

Screening Building

Surge Bins

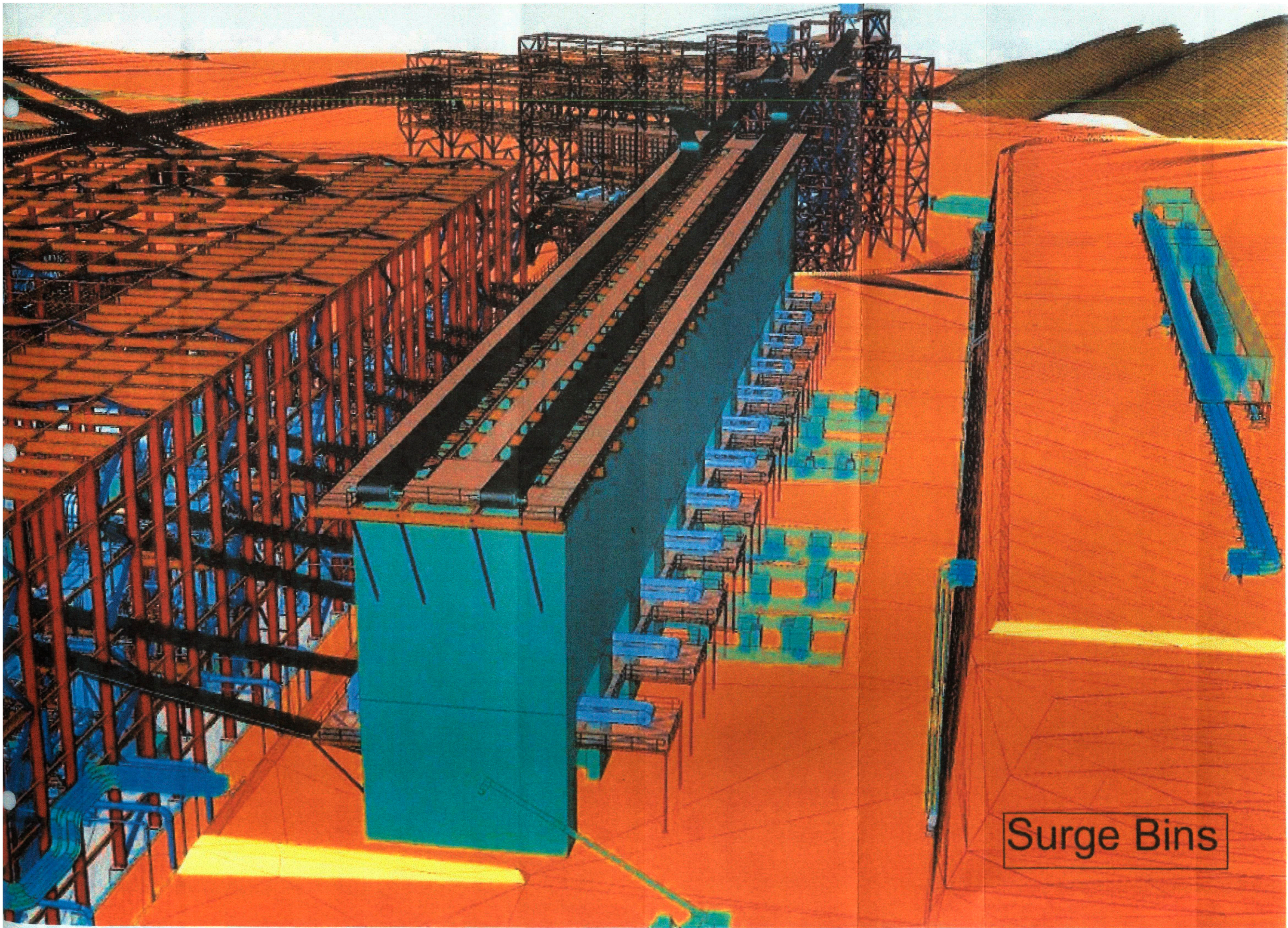
Moly Plant

Grinding Building

Flotation Cells

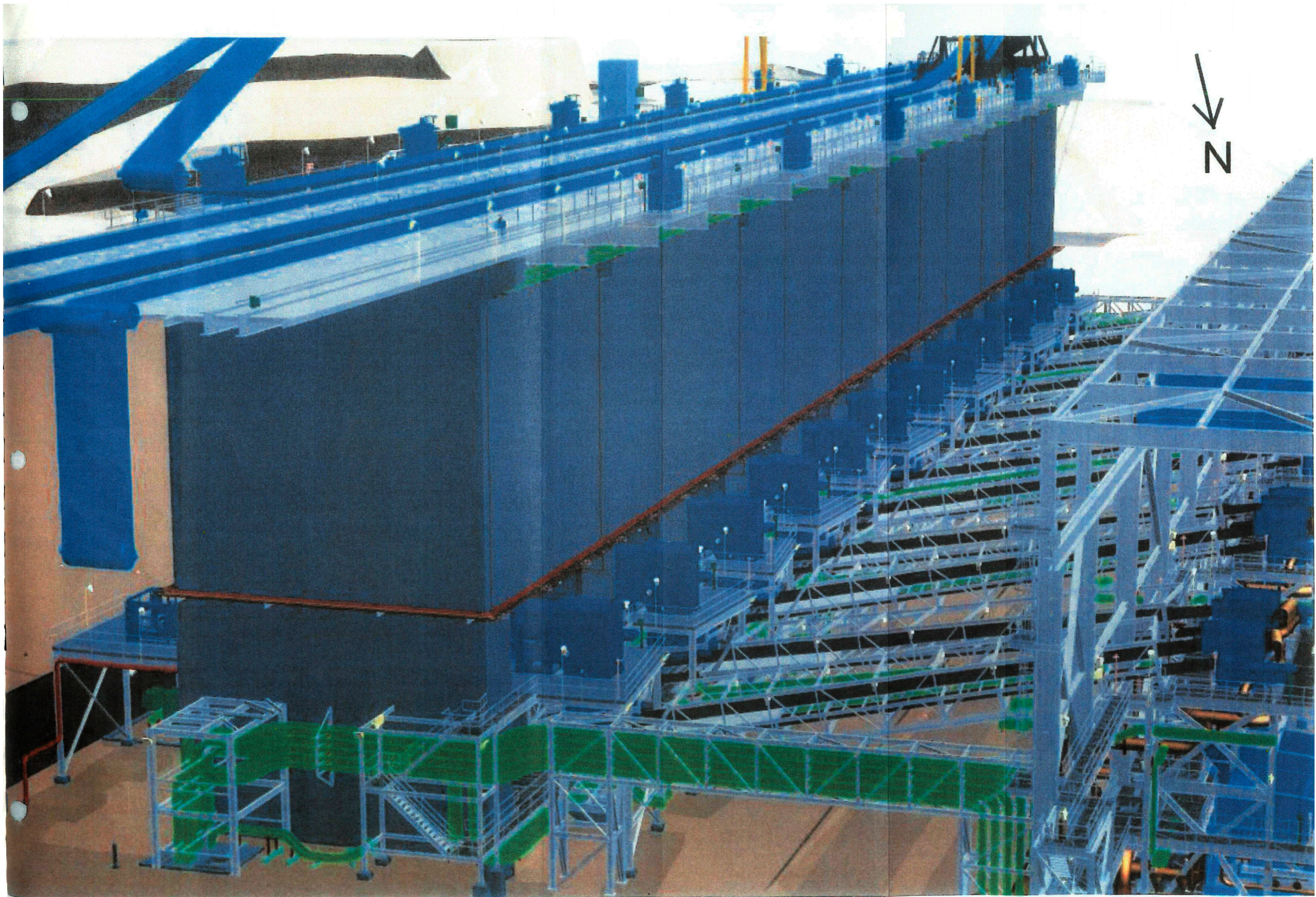
Regrind Building

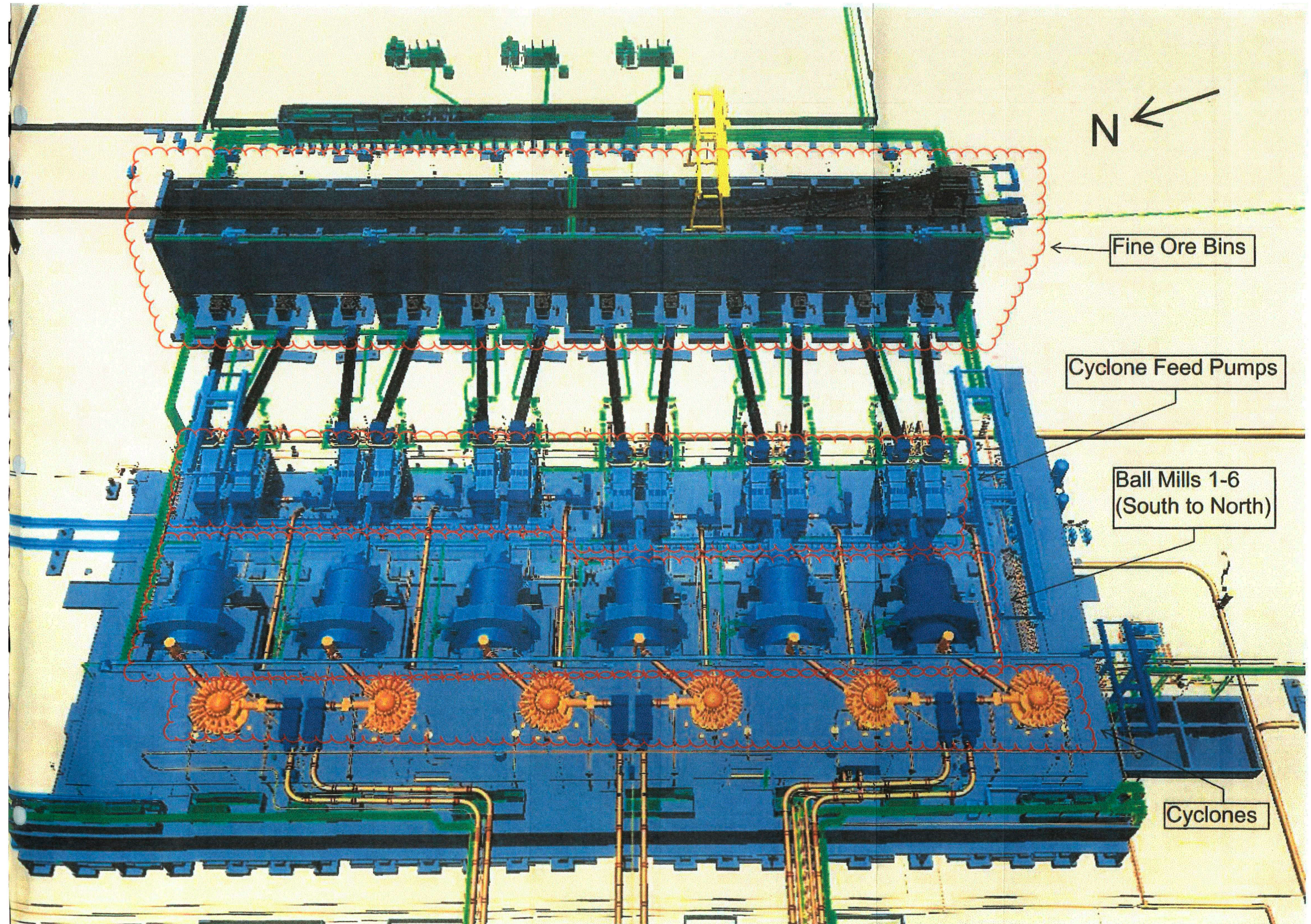
Concentrate Filtering  
and Loadout



Surge Bins







N ←

Fine Ore Bins

Cyclone Feed Pumps

Ball Mills 1-6  
(South to North)

Cyclones